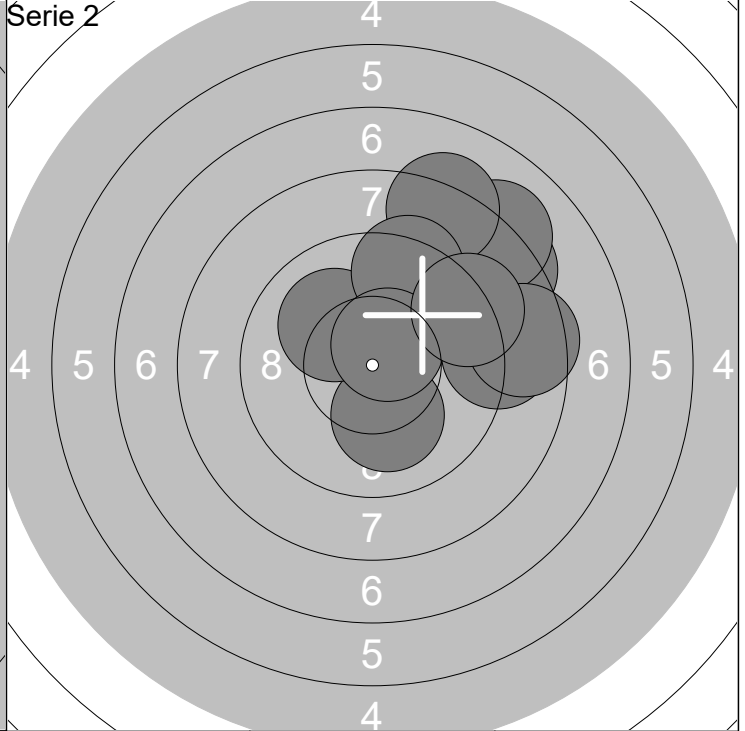
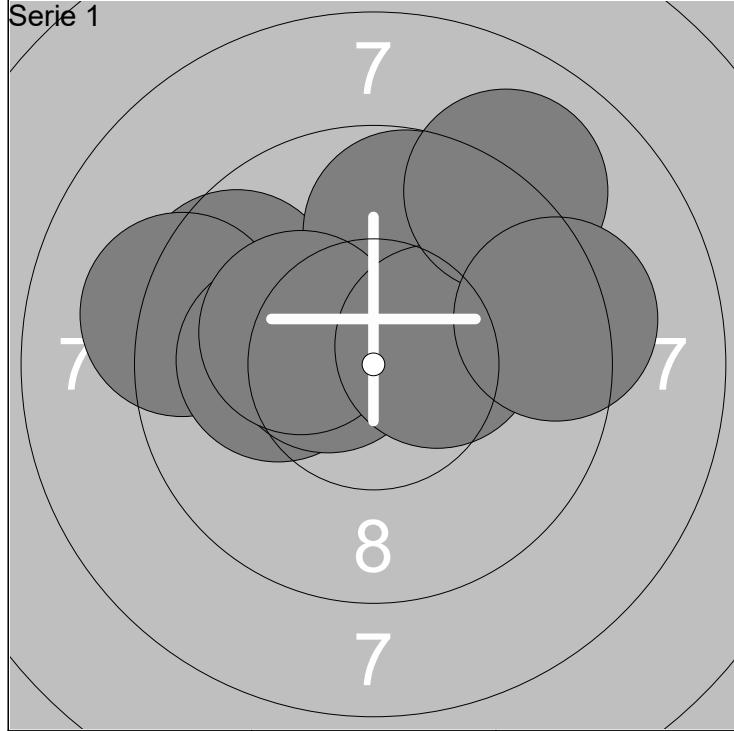




Smålandsseriernas Final 2019-04-27 arr. Älmhults SKF

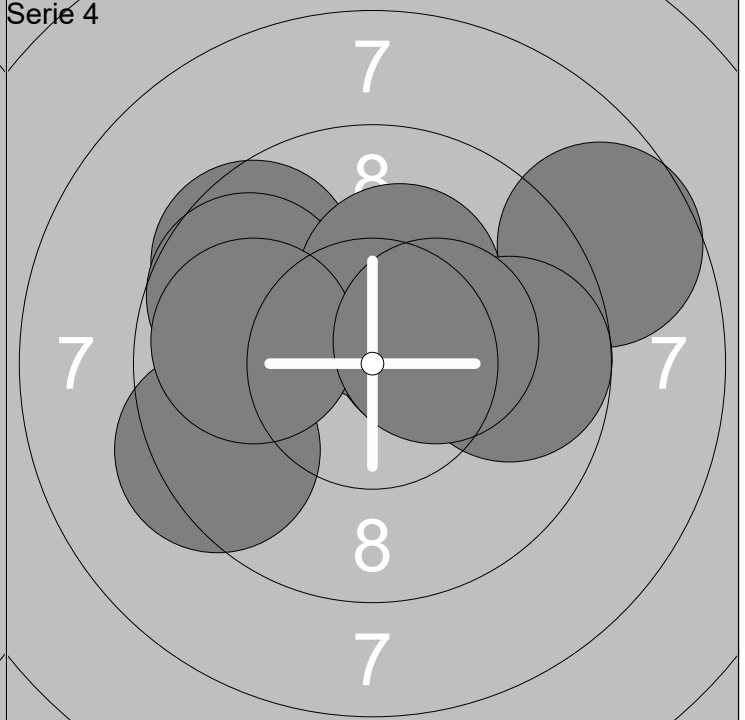
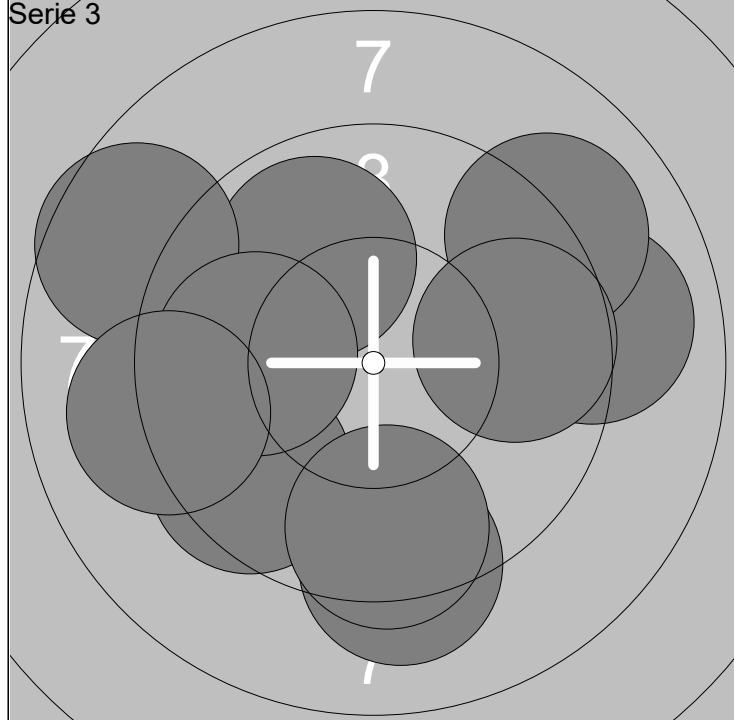
GULD	Berga USKF		1634,8
	Emmy Mauritzsson (sitt)	419,8	
	Iza Lundgren (sitt)	415,8	
	Lucia Ter Harkel (stå)	406,2	
	Thea Lundgren (stå)	393,0	
SILVER	Nässjö SG		1633,6
	Jacob Andersson (sitt)	421,0	
	Josefin Andersson (stå)	409,2	
	Kevin Rosendal (sitt)	408,5	
	Ellen Mörberg (stå)	394,9	
BRONS	Gullabo Skf		1625,5
	Andrea Jirle (sitt)	423,1	
	Samuel Hedin (sitt)	421,1	
	Nora Olsson (stå)	400,0	
	Mathilda Hjelm (stå)	381,3	
4	Figeholm Skf		1606,1
	Elin Wigren (sitt)	414,8	
	David Wiggur (sitt)	407,7	
	Dan Eriksson (stå)	392,3	
	Rasmus Eriksson (stå)	391,3	

*WO Gunnebo Skf
Ingen representant från Kalmar S*



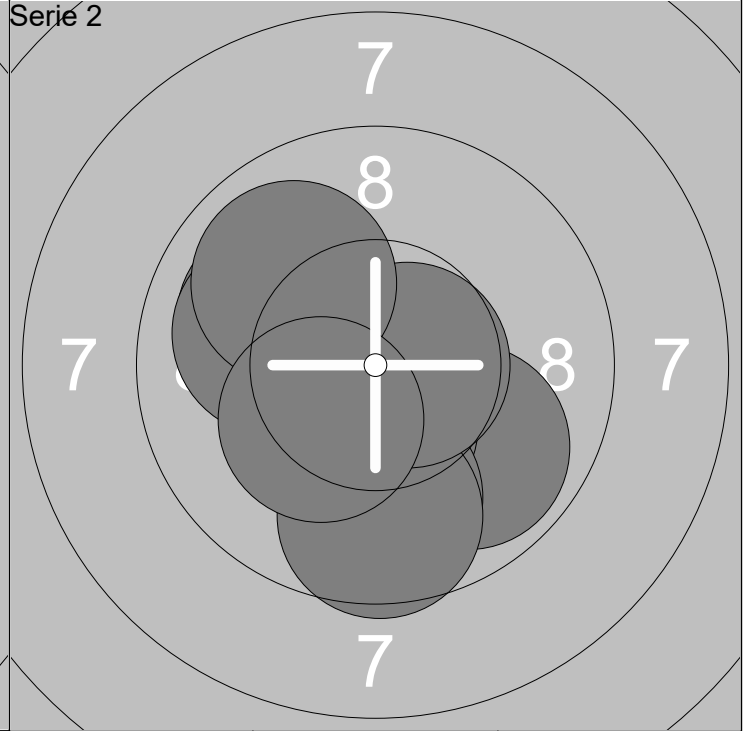
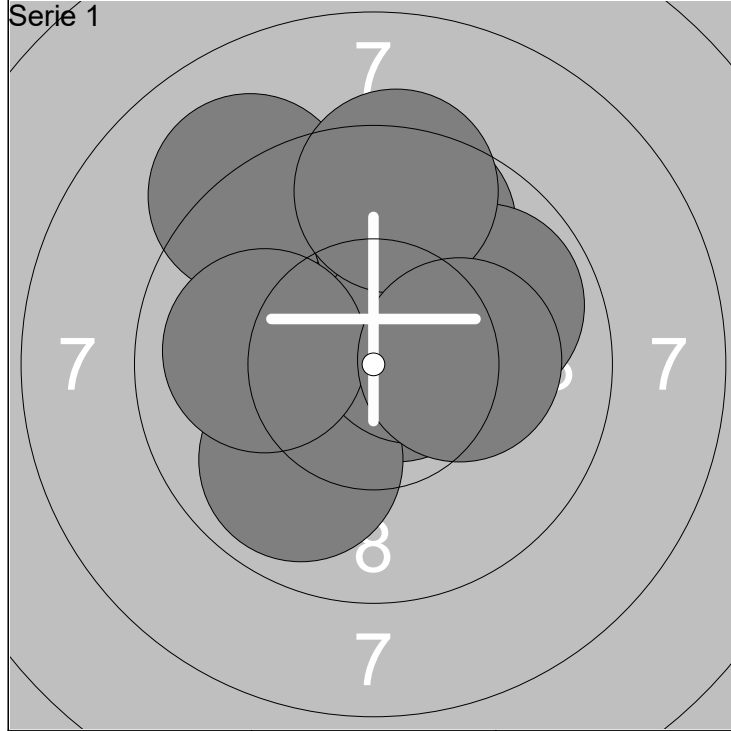
1: 9.6 ↖	6: 10.5x ↖	Serie	98.4
2: 9.2 ↖	7: 10.2x ↖		
3: 10.1 ↖	8: 10.3x →	Total	98.4
4: 10.5x ↗	9: 9.0 ↗		
5: 9.7 ↗	10: 9.3 →		

1: 8.4 ↗	6: 10.1 ↖	Serie	91.4
2: 8.1 ↗	7: 9.4 ↗		
3: 8.2 ↗	8: 10.5x ↗	Total	189.8
4: 10.1 ↓	9: 8.5 →		
5: 8.9 →	10: 9.2 ↗		



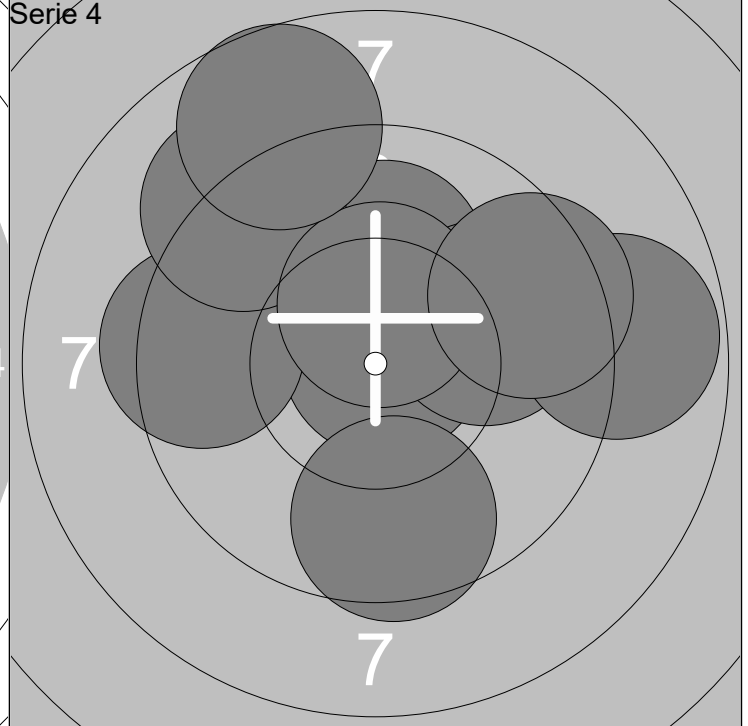
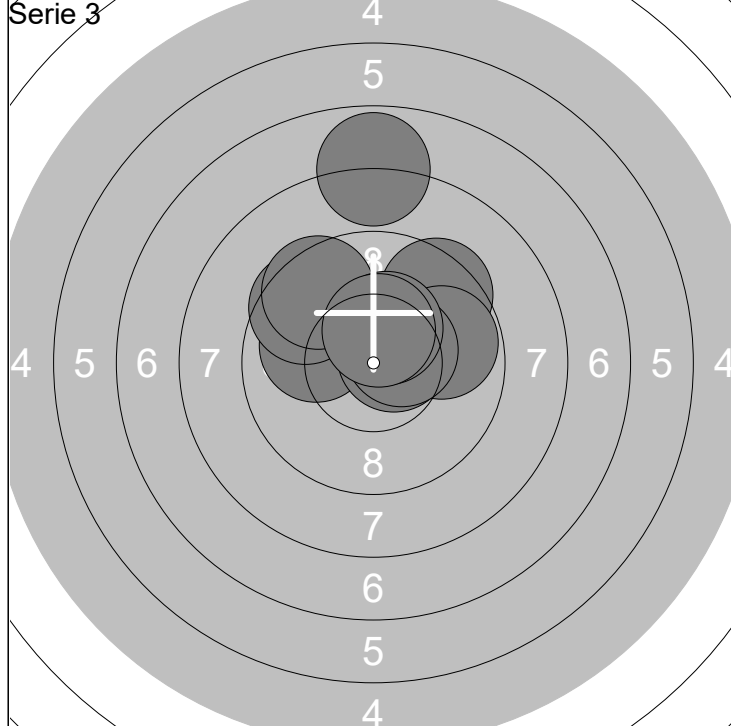
1: 9.0 →	6: 9.5 ↖	Serie	93.4
2: 9.0 ↗	7: 9.5 ↓		
3: 9.9 ↗	8: 8.6 ↖	Total	283.2
4: 9.2 ↓	9: 9.9 ↖		
5: 9.7 →	10: 9.1 ↖		

1: 9.4 ↖	6: 9.7 ↖	Serie	98.1
2: 8.7 ↗	7: 10.2x ↗		
3: 9.5 ↖	8: 9.9 ↖	Total	381.3
4: 10.3x ↗	9: 9.7 →		
5: 10.4x ↗	10: 10.3x ↗		



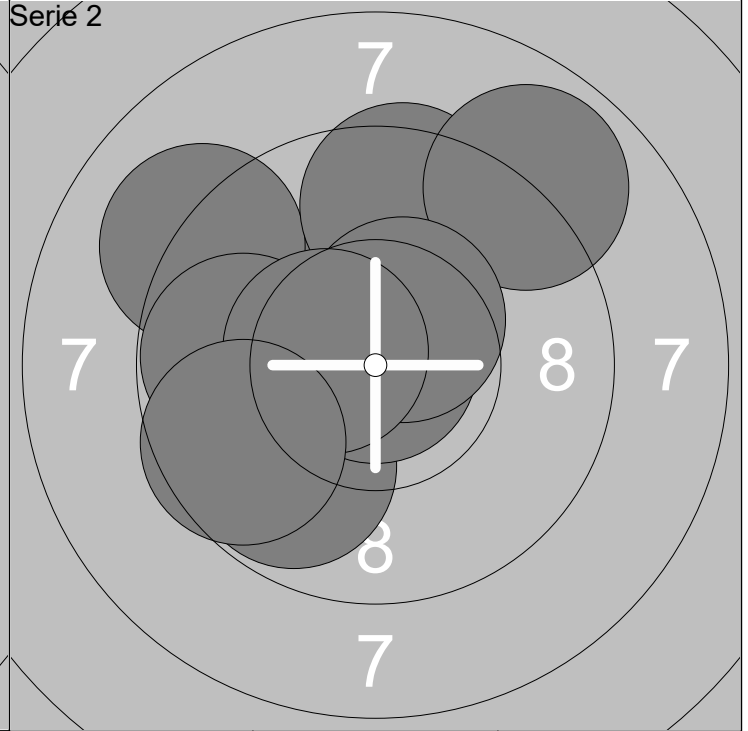
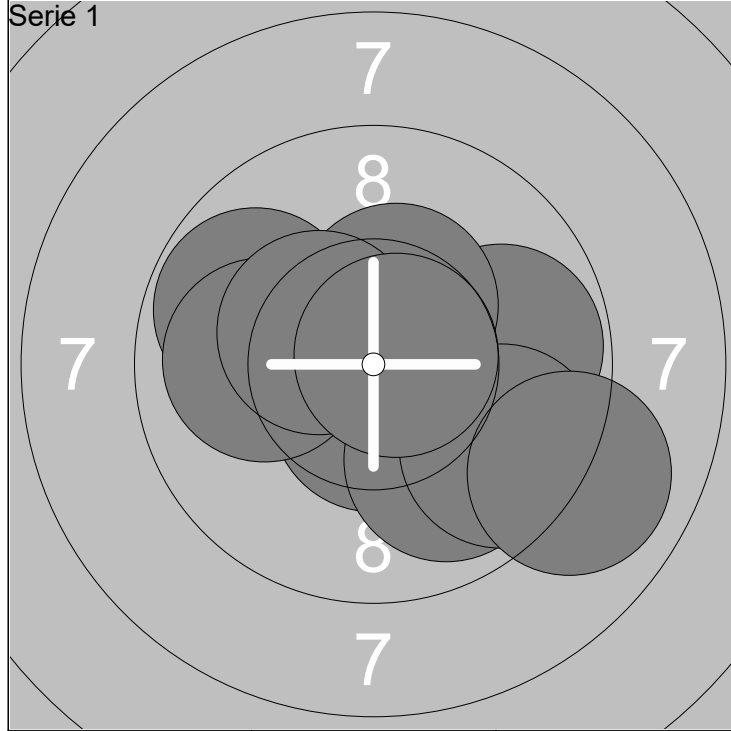
1: 9.1 ↖	6: 9.8 ↗	Serie	99.9
2: 10.7x →	7: 10.5x ↗		
3: 10.6x ↗	8: 9.4 ↑	Total	99.9
4: 9.9 ↙	9: 10.0 ←		
5: 9.7 ↑	10: 10.2x →		

1: 9.8 ↘	6: 9.6 ↓	Serie	100.9
2: 10.5x ↖	7: 10.7x →		
3: 10.4x ↓	8: 10.0 ←	Total	200.8
4: 10.0 ↖	9: 9.9 ↖		
5: 9.8 ↓	10: 10.2x ↙		



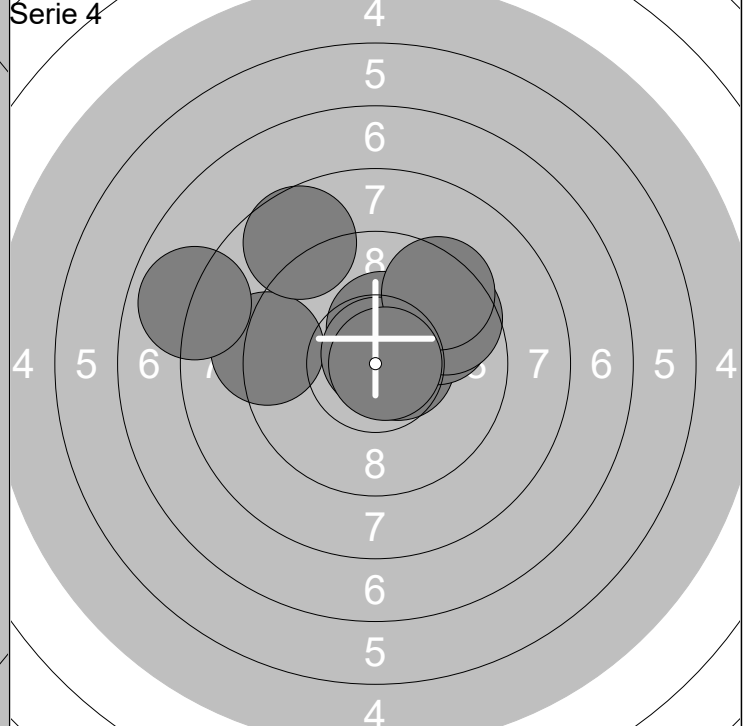
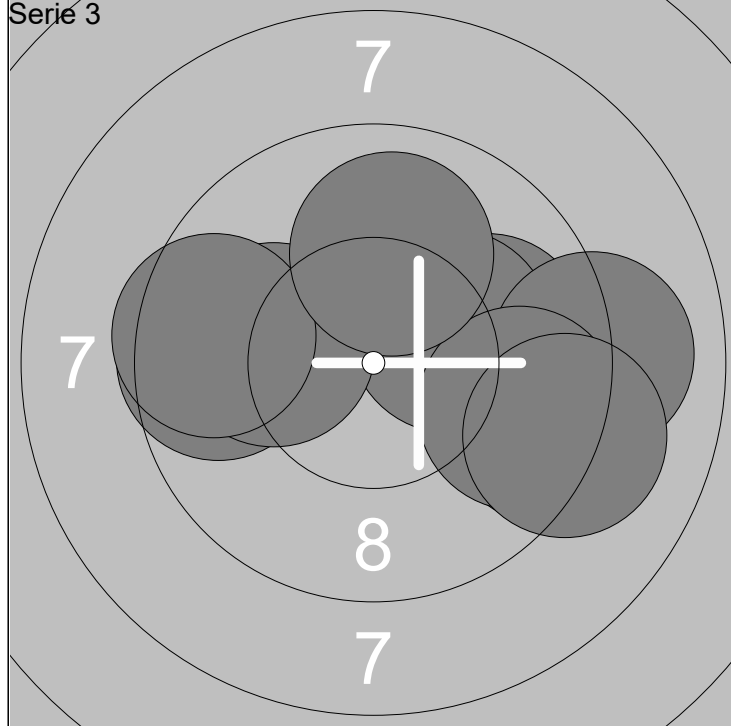
1: 10.0 ←	6: 10.6x ↗	Serie	97.9
2: 9.5 ↖	7: 9.5 ↖		
3: 9.5 ↗	8: 10.4x ↗	Total	298.7
4: 9.8 →	9: 10.3x ↑		
5: 7.9 ↑	10: 10.4x ↑		

1: 10.0 ↑	6: 10.4x ↑	Serie	96.2
2: 10.8x ↗	7: 9.6 ↓		
3: 9.4 ←	8: 8.8 →	Total	394.9
4: 9.1 ↖	9: 9.5 ↗		
5: 9.9 →	10: 8.7 ↑		



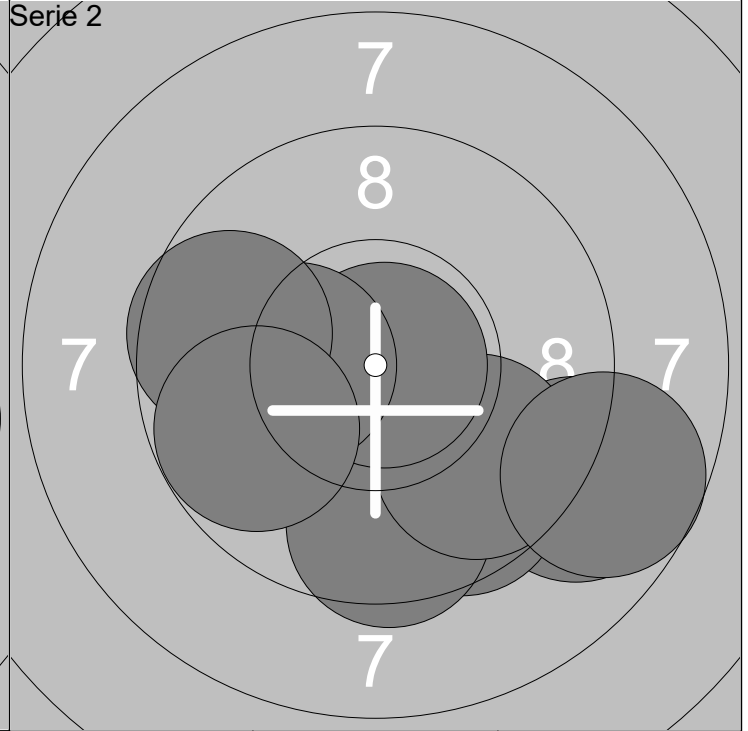
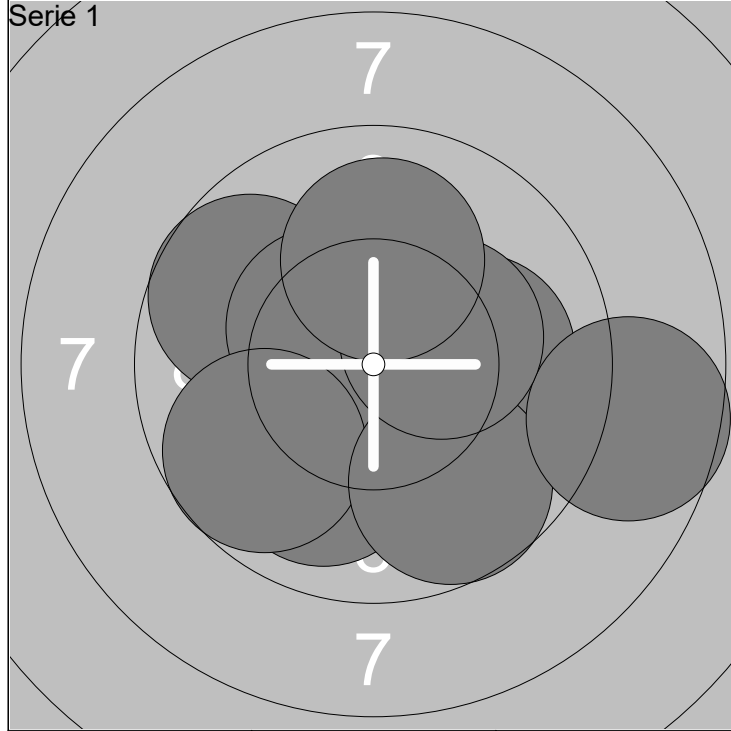
1: 9.8 ↖	6: 10.4x ↗	Serie	100.1
2: 10.5x ↓	7: 9.6 ↘		
3: 10.0 ←	8: 10.4x ↖	Total	100.1
4: 9.9 ↘	9: 9.0 ↘		
5: 9.8 →	10: 10.7x ↗		

1: 10.3x ↗	6: 8.9 ↗	Serie	98.9
2: 9.1 ↖	7: 10.5x ↗		
3: 9.5 ↗	8: 9.8 ←	Total	199.0
4: 9.8 ↘	9: 10.5x ←		
5: 10.9x ↗	10: 9.6 ↖		



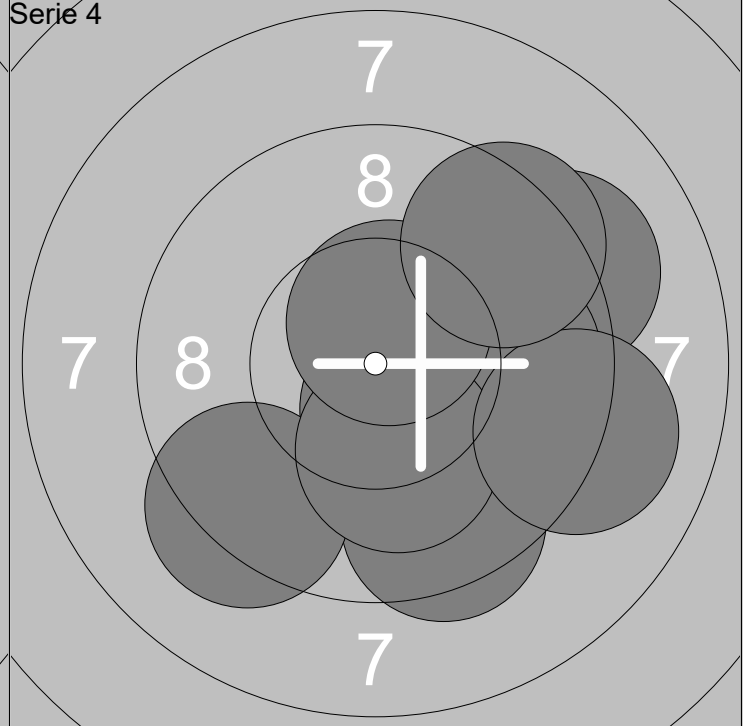
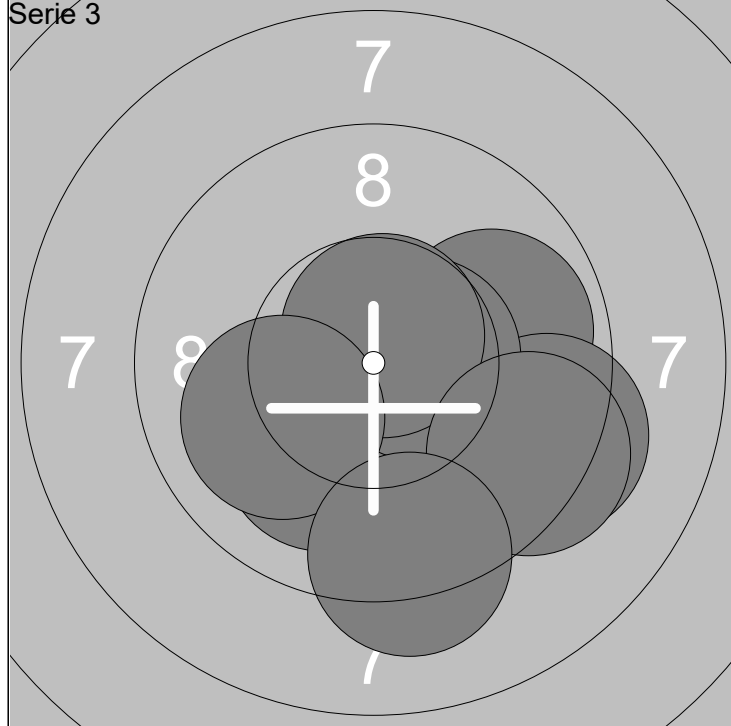
1: 9.9 →	6: 10.0 ←	Serie	96.1
2: 9.6 ←	7: 9.6 →		
3: 10.2x ↗	8: 9.1 →	Total	295.1
4: 9.3 →	9: 9.5 ←		
5: 9.0 →	10: 9.9 ↗		

1: 10.4x ↗	6: 10.8x ↗	Serie	97.2
2: 10.6x →	7: 7.9 ↖		
3: 9.2 ←	8: 9.4 ↗	Total	392.3
4: 9.8 ↗	9: 8.7 ↖		
5: 9.6 ↗	10: 10.8x →		



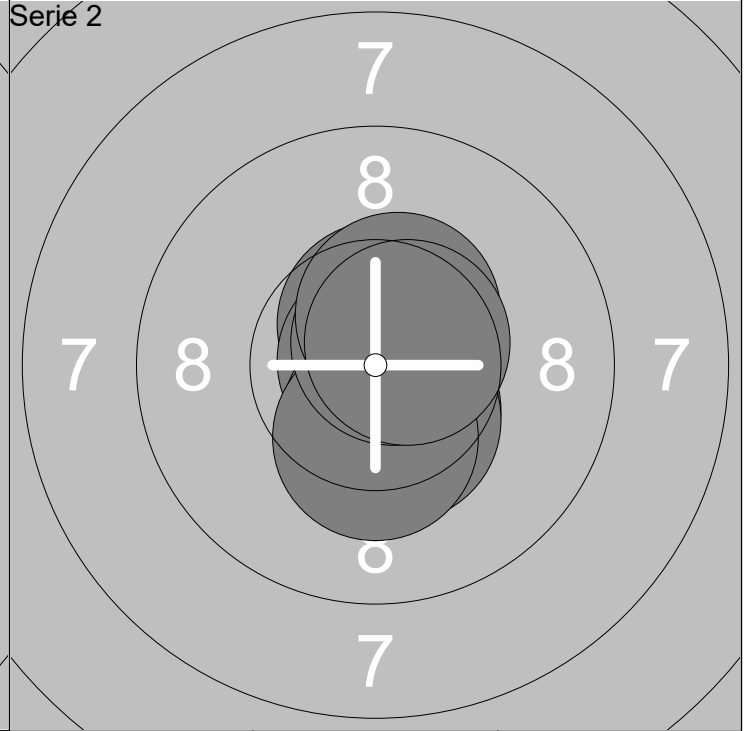
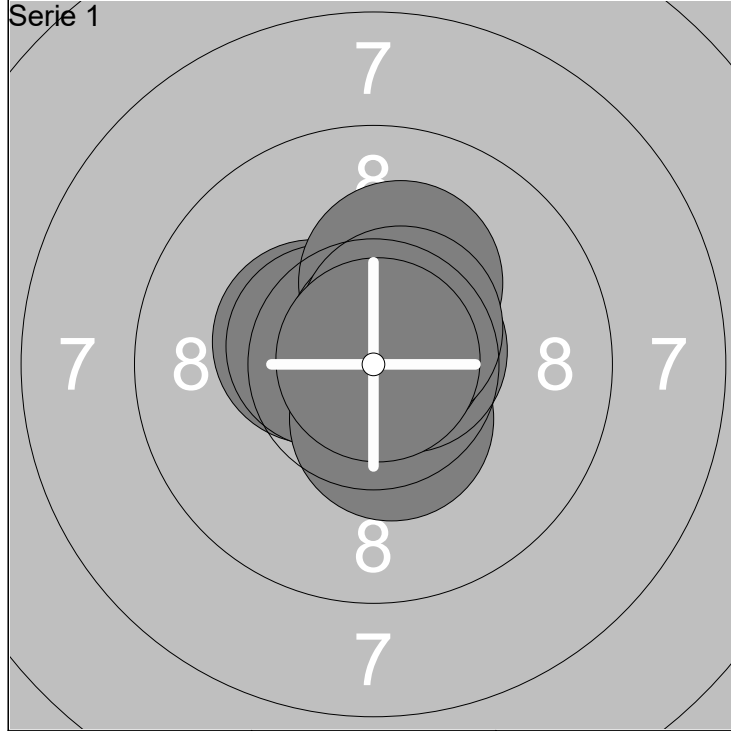
1: 9.7 ↖	6: 10.0 →	Serie	98.7
2: 10.3x ↗	7: 9.7 ↘		
3: 10.4x ↖	8: 8.6 →	Total	98.7
4: 10.0 ↙	9: 10.3x ↗		
5: 9.7 ↙	10: 10.0 ↗		

1: 10.2x ↓	6: 10.8x →	Serie	96.9
2: 8.9 ↘	7: 10.2x ←		
3: 9.6 ↘	8: 8.7 ↘	Total	195.6
4: 9.5 ↓	9: 9.6 ←		
5: 9.7 ↘	10: 9.7 ←		



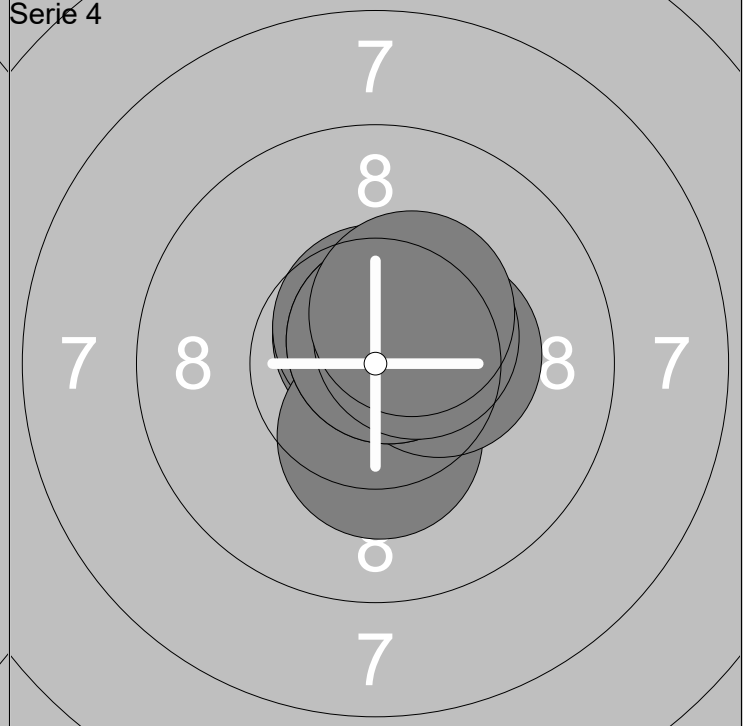
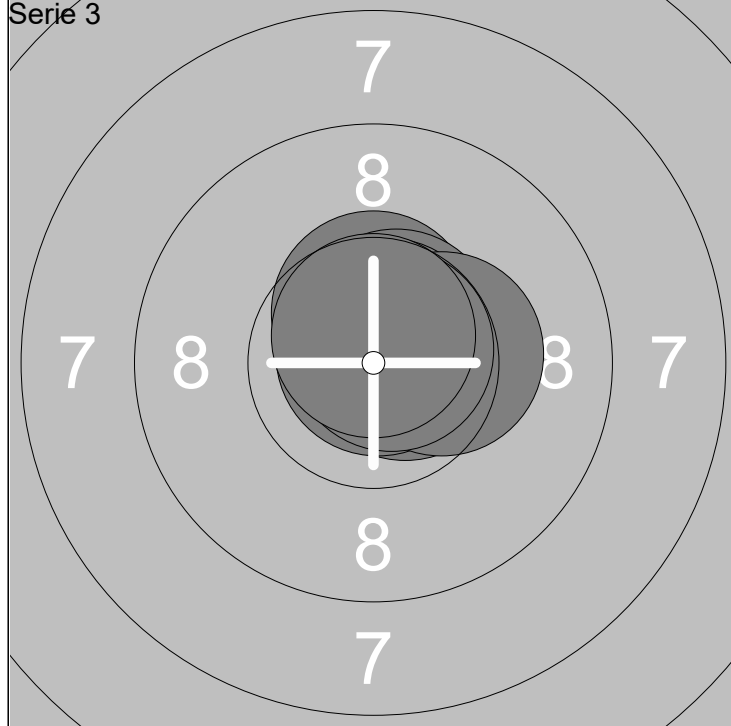
1: 10.7x ↗	6: 10.5x →	Serie	100.1
2: 9.9 →	7: 10.7x ↗		
3: 10.4x ↘	8: 9.3 ↘	Total	295.7
4: 10.1 ↙	9: 10.0 ←		
5: 9.3 ↘	10: 9.2 ↓		

1: 10.5x ↓	6: 9.2 ↙	Serie	97.3
2: 10.1 ↓	7: 10.1 ↓		
3: 9.1 ↗	8: 10.6x ↗	Total	393.0
4: 9.8 →	9: 9.1 ↘		
5: 9.4 ↓	10: 9.4 ↗		



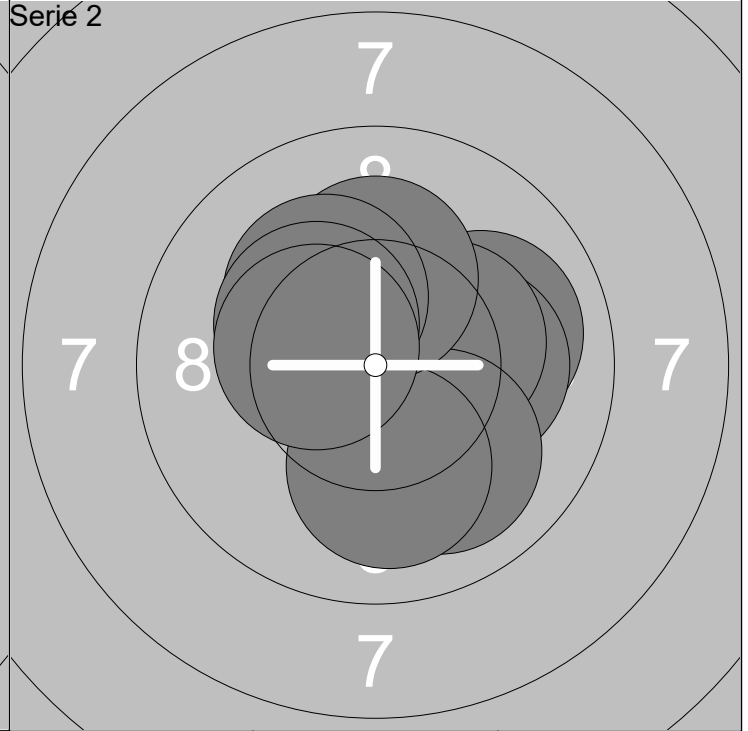
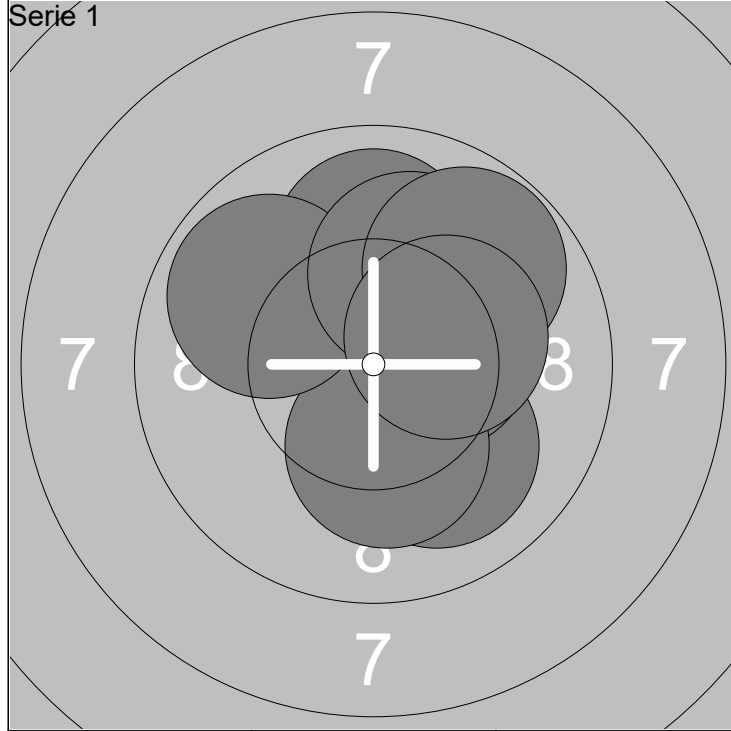
1: 10.8x ↗	6: 10.4x ↓	Serie	105.7
2: 10.4x ↖	7: 10.6x →		
3: 10.6x ↗	8: 10.8x ↗	Total	105.7
4: 10.5x ↖	9: 10.5x ↗		
5: 10.2x ↗	10: 10.9x ↗		

1: 10.6x ↗	6: 10.4x ↓	Serie	105.4
2: 10.5x ↓	7: 10.3x ↓		
3: 10.6x ↗	8: 10.7x ↗	Total	211.1
4: 10.9x ↗	9: 10.4x ↗		
5: 10.4x ↓	10: 10.6x ↗		



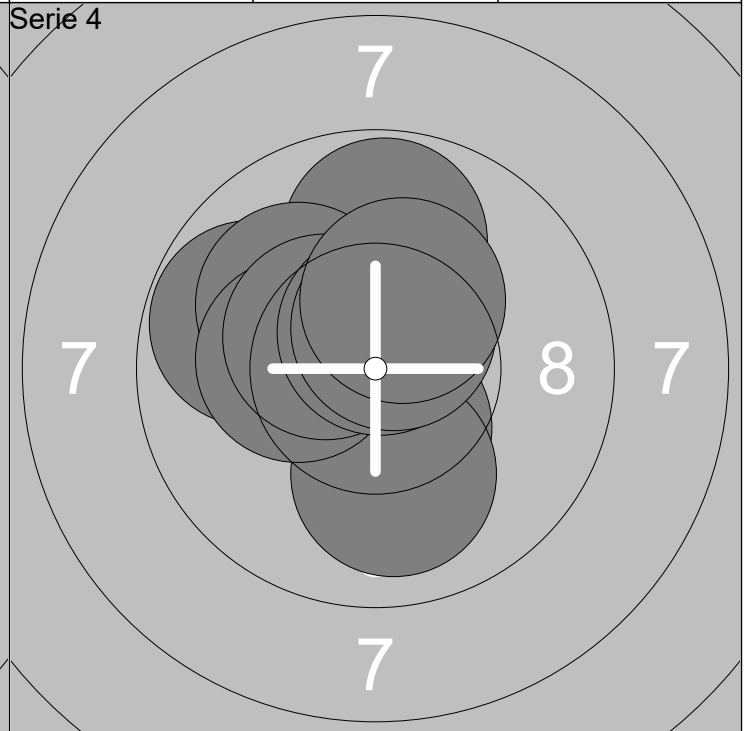
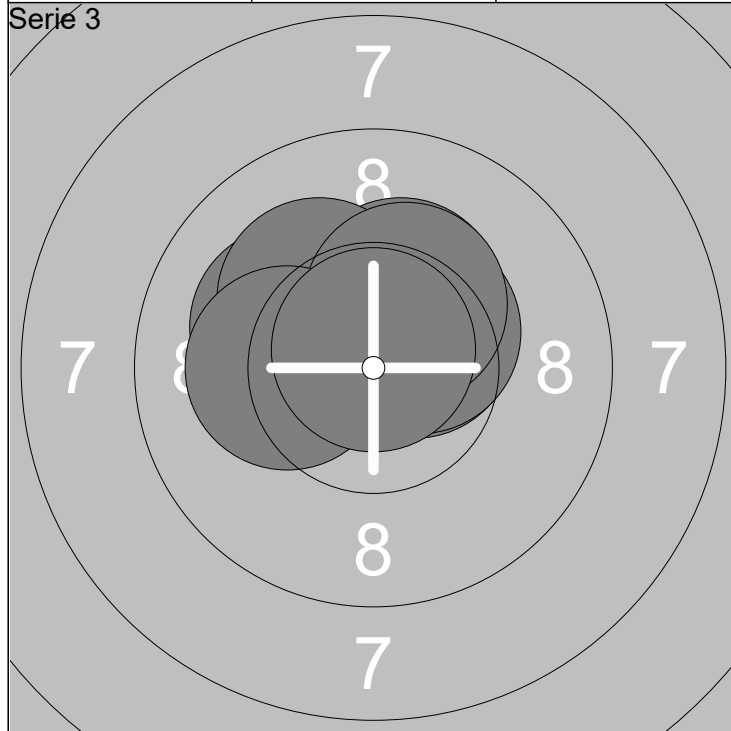
1: 10.8x ↗	6: 10.7x ↗	Serie	106.5
2: 10.8x ↗	7: 10.8x ↗		
3: 10.5x ↗	8: 10.3x →	Total	317.6
4: 10.6x →	9: 10.7x ↗		
5: 10.6x ↗	10: 10.7x ↗		

1: 10.6x ↗	6: 10.4x →	Serie	105.5
2: 10.6x ↗	7: 10.7x ↗		
3: 10.7x ↗	8: 10.7x ↗	Total	423.1
4: 10.6x ↗	9: 10.5x ↗		
5: 10.3x ↓	10: 10.4x ↗		



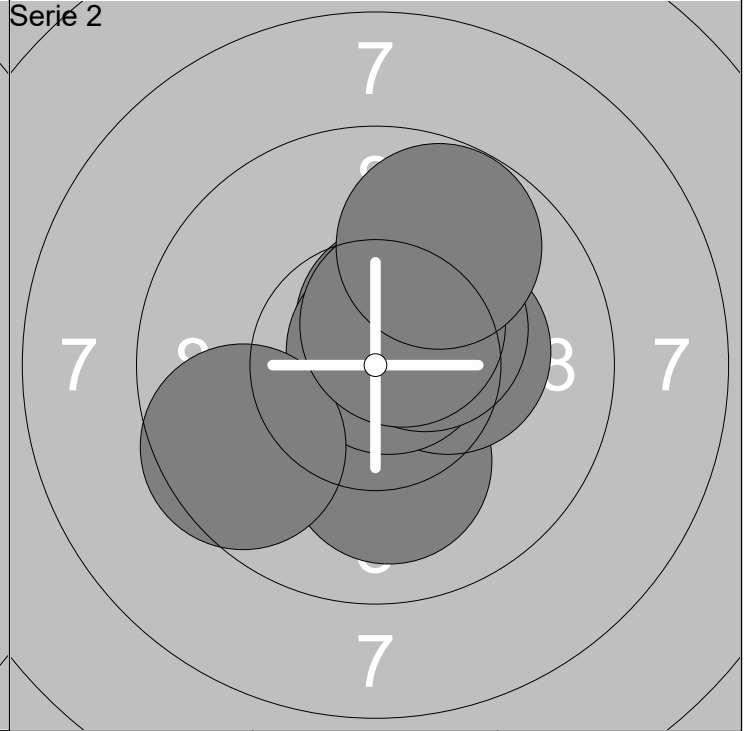
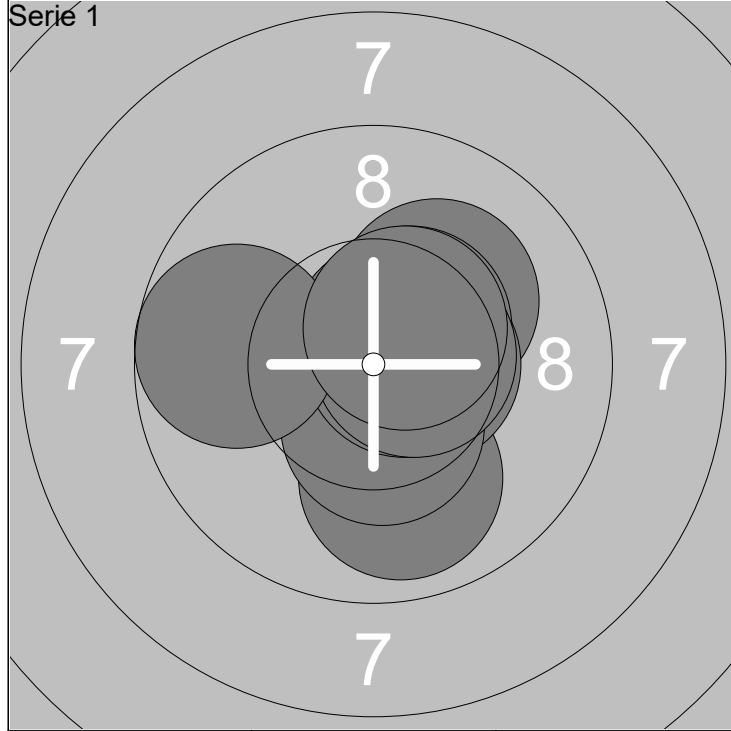
1: 10.2x ↑	6: 10.2x ↓	Serie	100.9
2: 10.3x ↓	7: 9.8 ↖		
3: 10.0 ↓	8: 10.1 ↑	Total	100.9
4: 10.4x →	9: 9.8 ↗		
5: 9.9 ↑	10: 10.2x →		

1: 10.0 →	6: 10.0 ↓	Serie	101.9
2: 10.4x →	7: 10.2x ↑		
3: 10.1 →	8: 10.2x ↖	Total	202.8
4: 10.3x →	9: 10.3x ↖		
5: 10.0 ↓	10: 10.4x ↖		



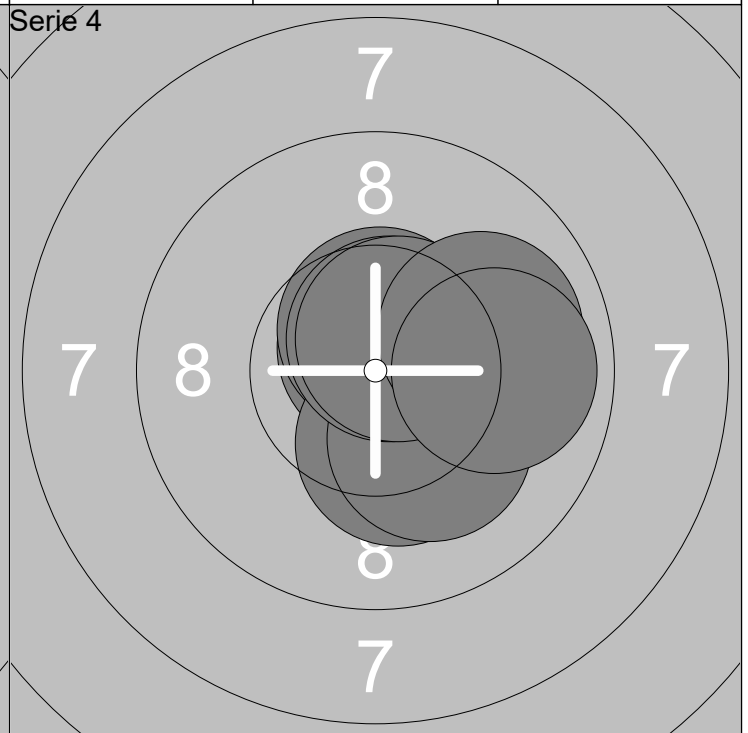
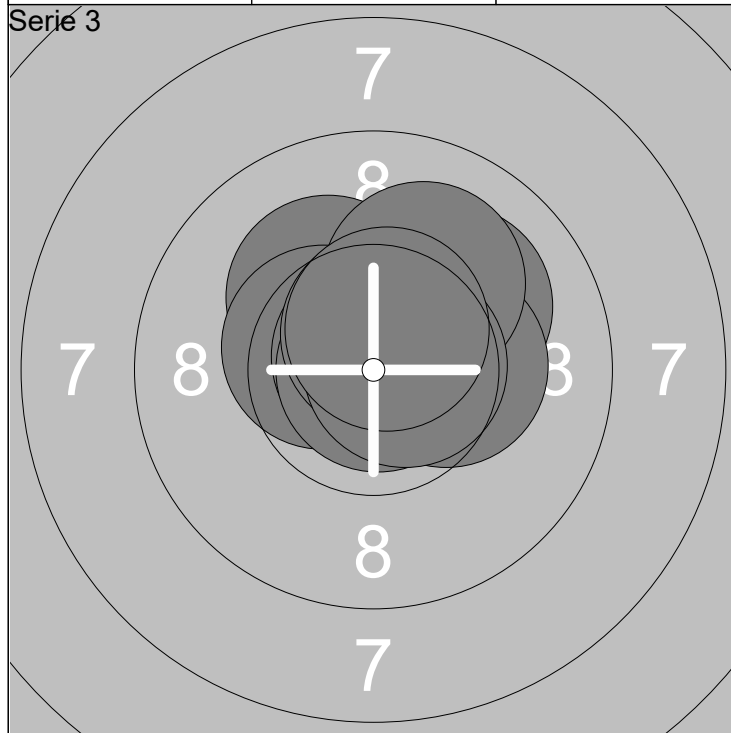
1: 10.5x ↗	6: 10.1 ↖	Serie	103.6
2: 10.5x ↑	7: 10.1 ↖		
3: 10.4x ↖	8: 10.3x ↑	Total	306.4
4: 10.4x ↗	9: 10.2x ←		
5: 10.3x ↑	10: 10.8x ↑		

1: 9.8 ↑	6: 10.3x ←	Serie	102.1
2: 10.4x ↓	7: 10.4x ↖		
3: 9.8 ↖	8: 10.6x ↑	Total	408.5
4: 10.0 ↓	9: 10.5x ↑		
5: 10.0 ↖	10: 10.3x ↑		



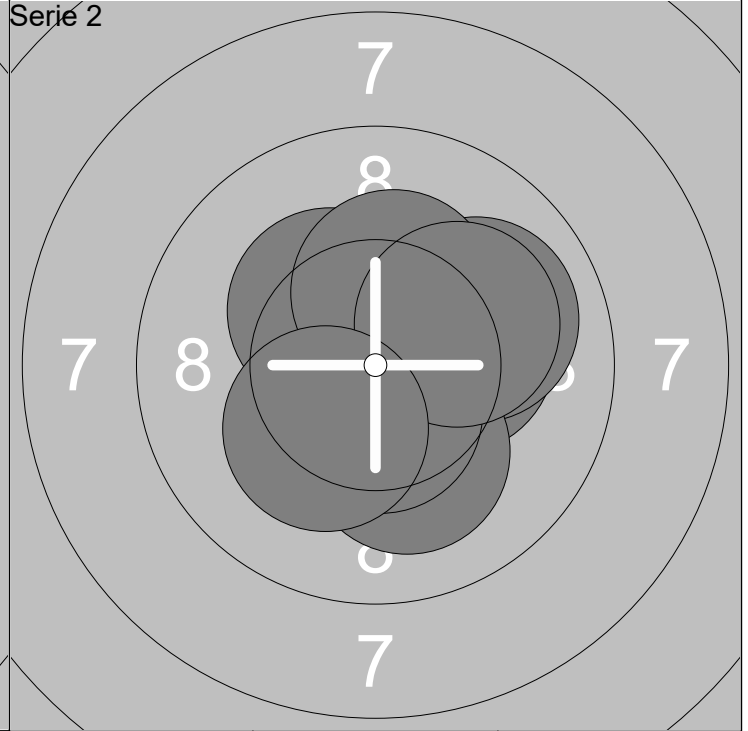
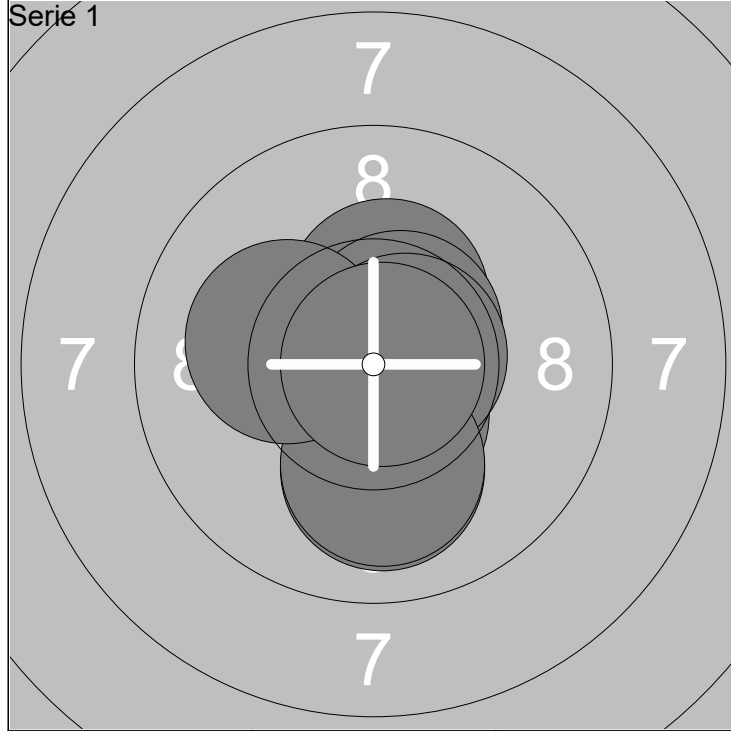
1: 10.1 ↗	6: 10.4x ↓	Serie	103.5
2: 10.7x ↗	7: 10.6x →		
3: 9.9 ↓	8: 10.6x →	Total	103.5
4: 10.5x →	9: 9.7 ←		
5: 10.5x ↗	10: 10.5x ↗		

1: 10.6x ↗	6: 9.6 ←	Serie	103.0
2: 10.1 ↓	7: 10.4x ↗		
3: 10.3x →	8: 10.4x ↗	Total	206.5
4: 10.5x ↗	9: 10.5x ↗		
5: 10.8x ↗	10: 9.8 ↗		



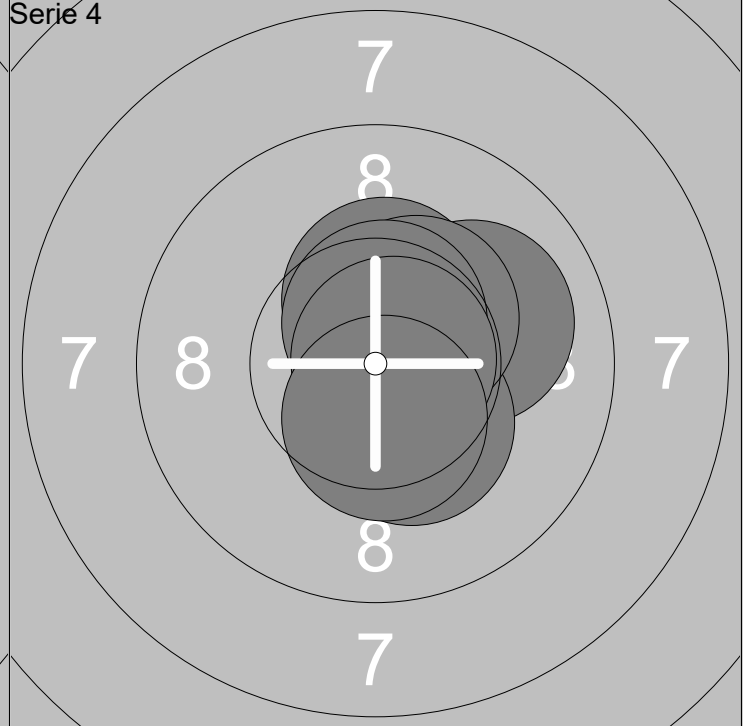
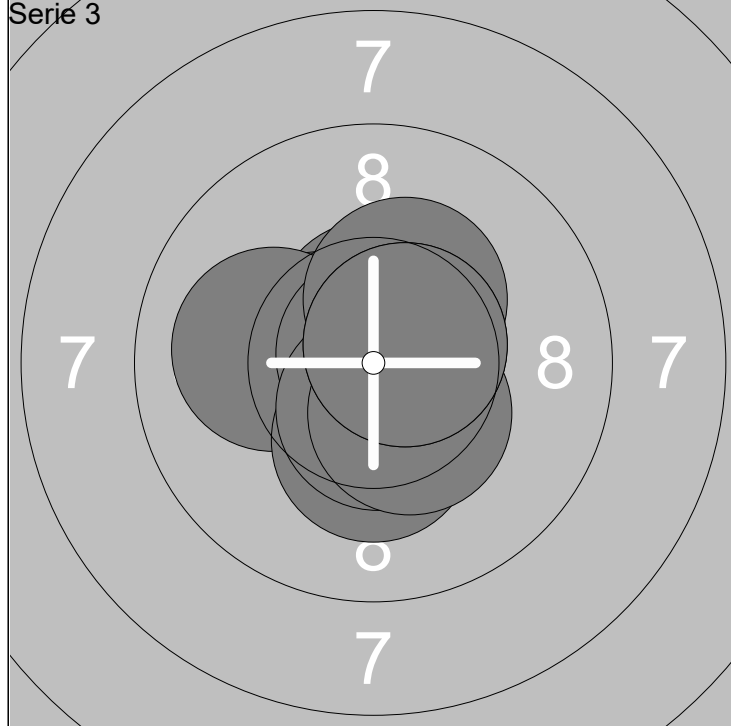
1: 10.2x ↗	6: 10.8x ↑	Serie	104.4
2: 10.0 ↗	7: 10.9x →		
3: 10.3x →	8: 10.6x ↑	Total	310.9
4: 10.0 ↗	9: 10.6x →		
5: 10.4x ↖	10: 10.6x ↑		

1: 10.5x ↗	6: 10.2x ↘	Serie	103.9
2: 10.7x ↑	7: 10.6x ↗		
3: 10.6x →	8: 10.6x ↗	Total	414.8
4: 10.6x ↑	9: 9.9 →		
5: 10.3x ↓	10: 9.9 →		



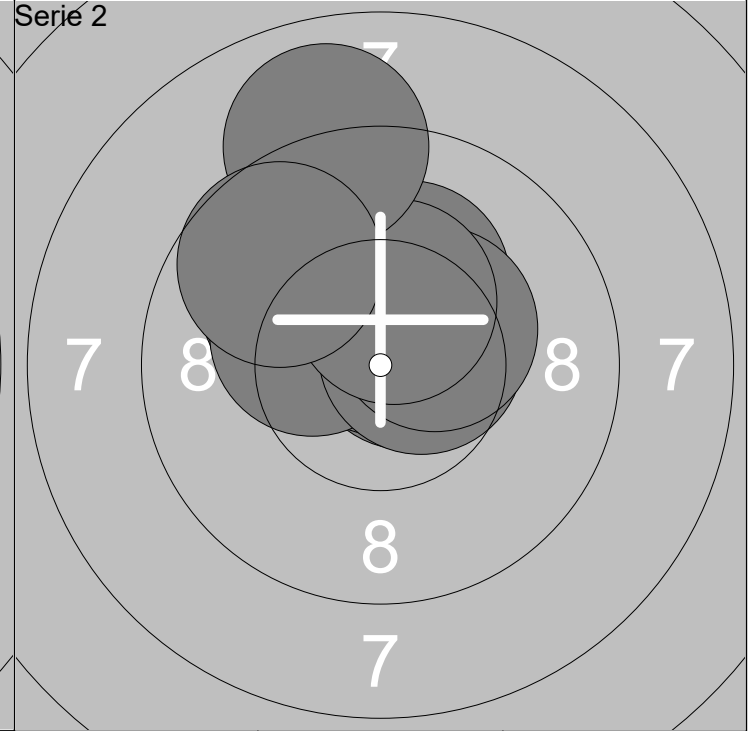
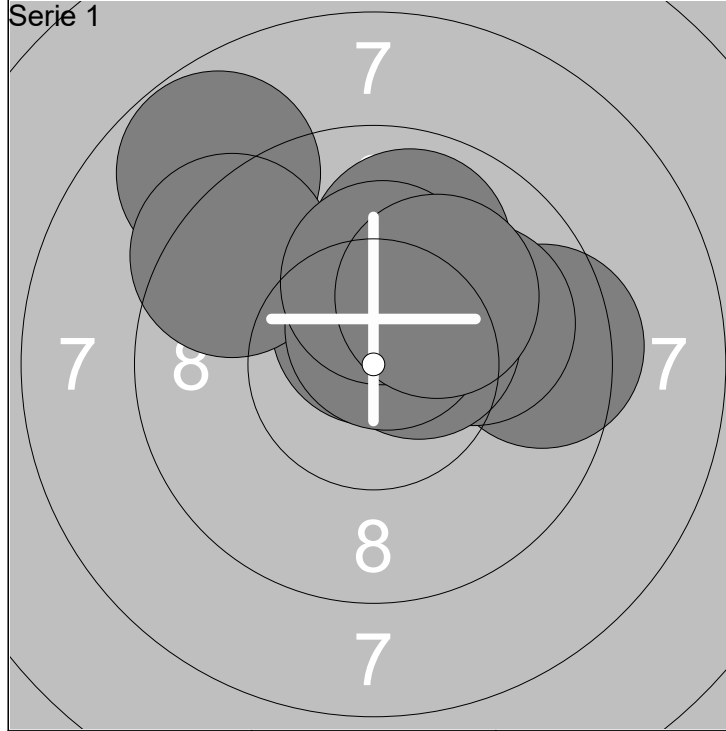
1: 10.7x ↑	6: 10.6x ↗	Serie	104.4
2: 10.0 ↓	7: 10.6x →		
3: 10.8x →	8: 10.0 ↓	Total	104.4
4: 10.3x ↑	9: 10.1 ←		
5: 10.5x ↓	10: 10.8x →		

1: 10.2x →	6: 10.1 ↓	Serie	102.6
2: 10.5x →	7: 10.5x ↓		
3: 10.0 →	8: 10.3x ↑	Total	207.0
4: 10.3x ↖	9: 10.1 →		
5: 10.4x →	10: 10.2x ↙		



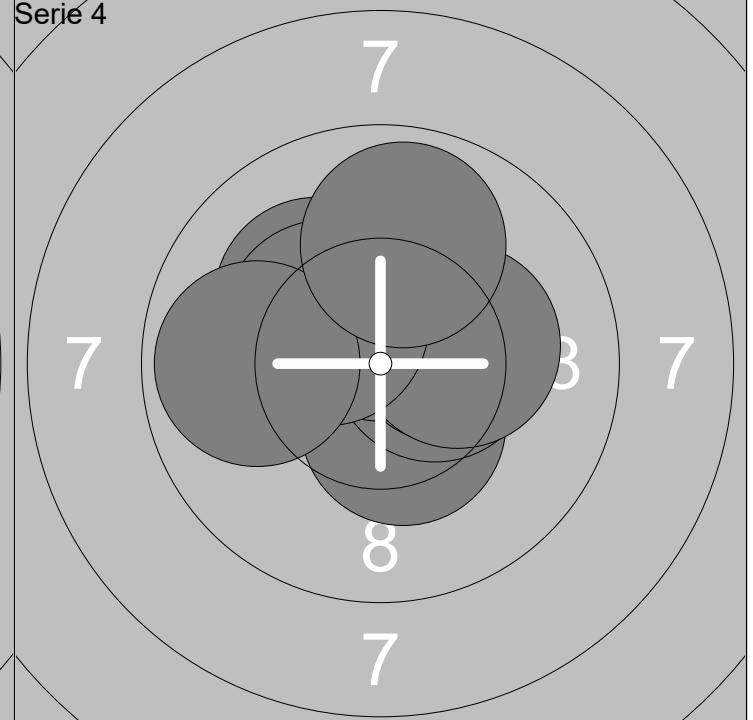
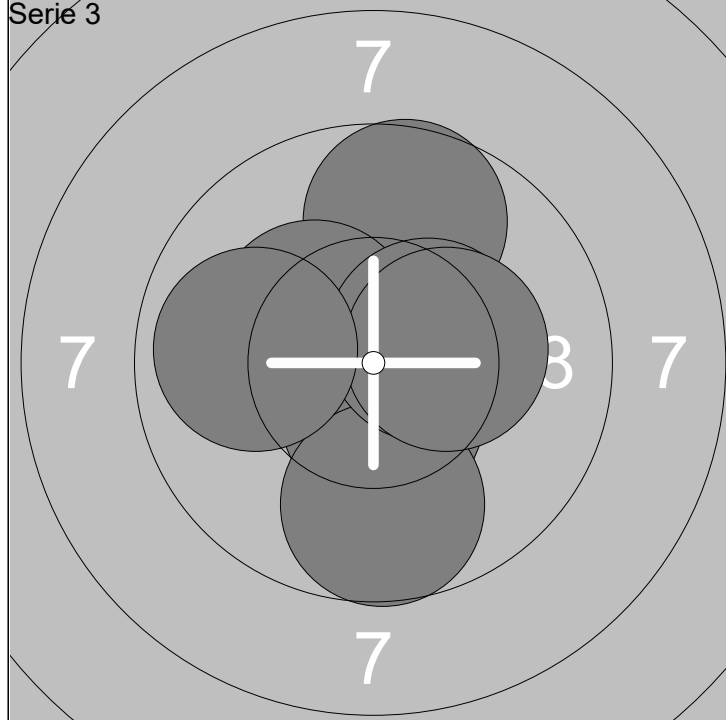
1: 10.6x ↑	6: 10.5x ↓	Serie	104.5
2: 10.4x ←	7: 10.4x ↓		
3: 10.0 ←	8: 10.3x ↑	Total	311.5
4: 10.3x ↓	9: 10.6x ↗		
5: 10.8x ↑	10: 10.6x ↗		

1: 10.4x ↑	6: 10.3x ↓	Serie	104.3
2: 10.5x ↗	7: 10.4x ↗		
3: 10.6x →	8: 10.6x ↑	Total	415.8
4: 10.3x →	9: 10.8x →		
5: 10.0 →	10: 10.4x ↓		



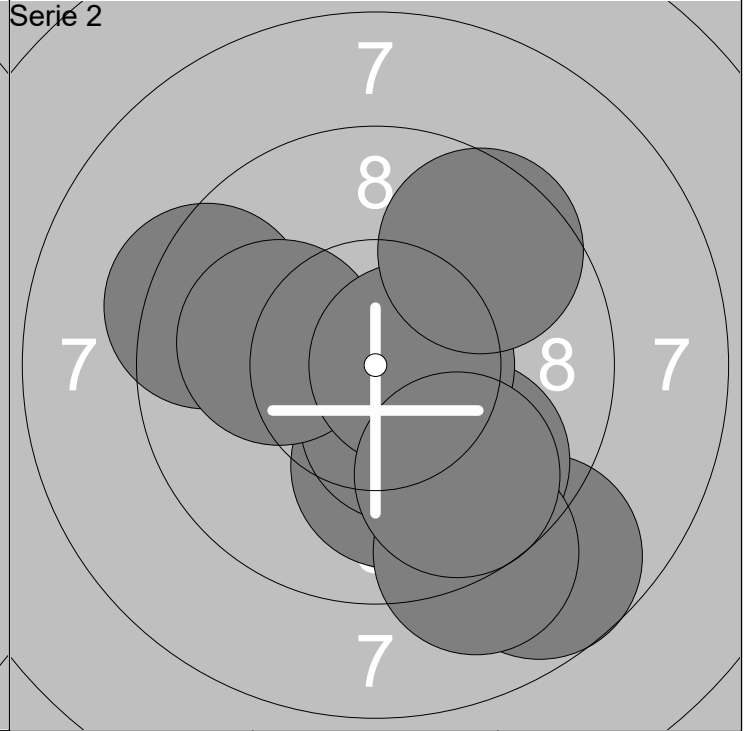
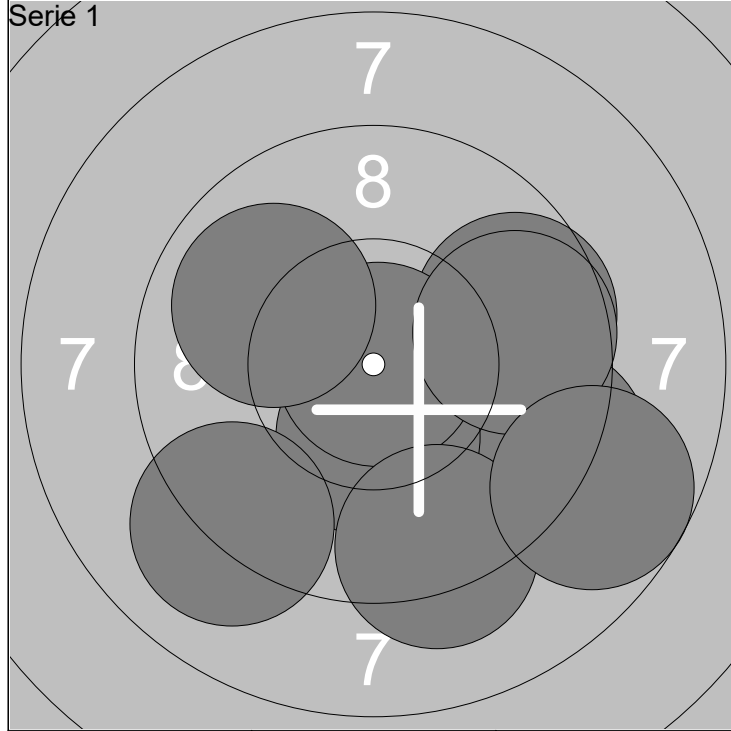
1: 8.8 ↙	6: 9.9 ↗	Serie	99.4
2: 10.6x ↑	7: 10.4x ↗		
3: 9.4 →	8: 10.6x ↑	Total	99.4
4: 9.4 ↙	9: 10.2x ↑		
5: 10.0 →	10: 10.1 ↗		

1: 10.7x ↗	6: 10.2x ↑	Serie	101.8
2: 10.0 ↙	7: 10.4x ↗		
3: 10.6x ↑	8: 10.3x ↑	Total	201.2
4: 10.3x ↙	9: 9.0 ↑		
5: 10.6x →	10: 9.7 ↙		



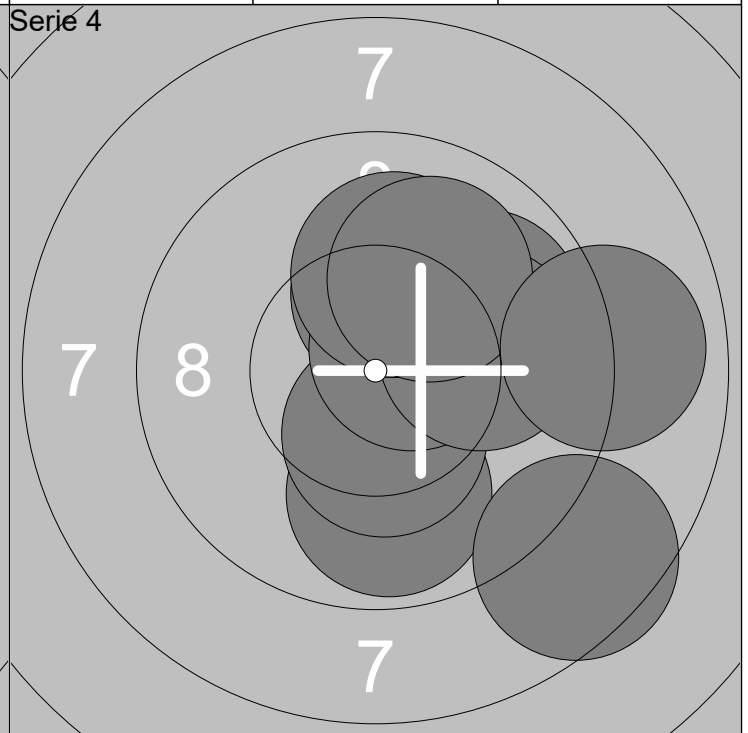
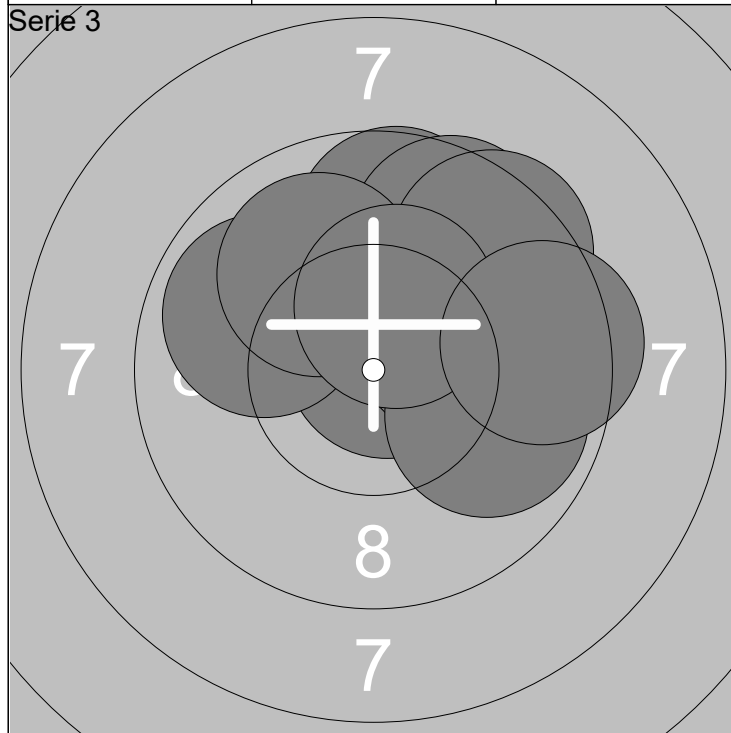
1: 10.4x ↗	6: 10.5x ↓	Serie	102.6
2: 10.6x ↗	7: 9.7 ↓		
3: 9.6 ↑	8: 10.4x ↗	Total	303.8
4: 10.9x ↗	9: 10.3x →		
5: 10.3x ↙	10: 9.9 ←		

1: 10.4x ↓	6: 10.2x →	Serie	102.4
2: 10.5x →	7: 10.1 ↙		
3: 10.3x →	8: 10.3x ↙	Total	406.2
4: 10.5x ↑	9: 9.8 ←		
5: 10.4x ↗	10: 9.9 ↑		



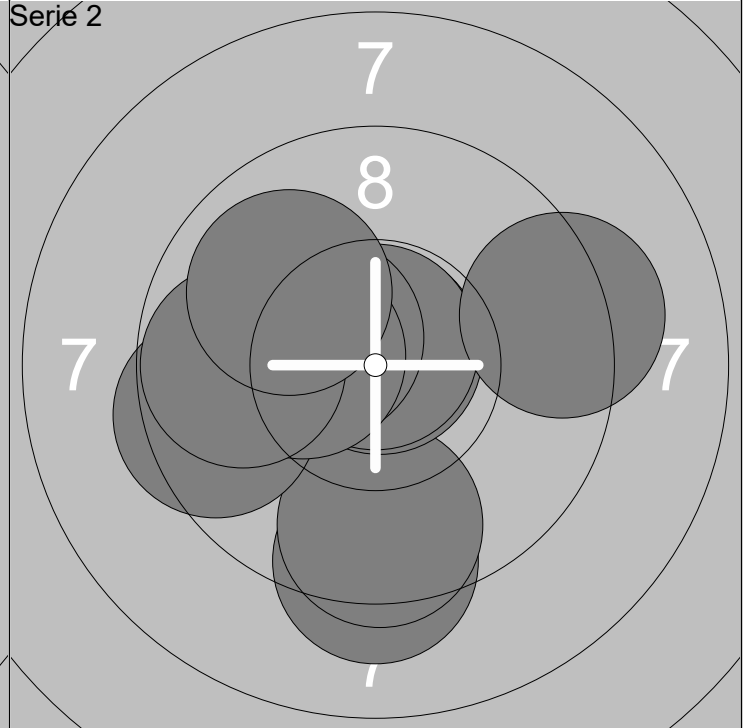
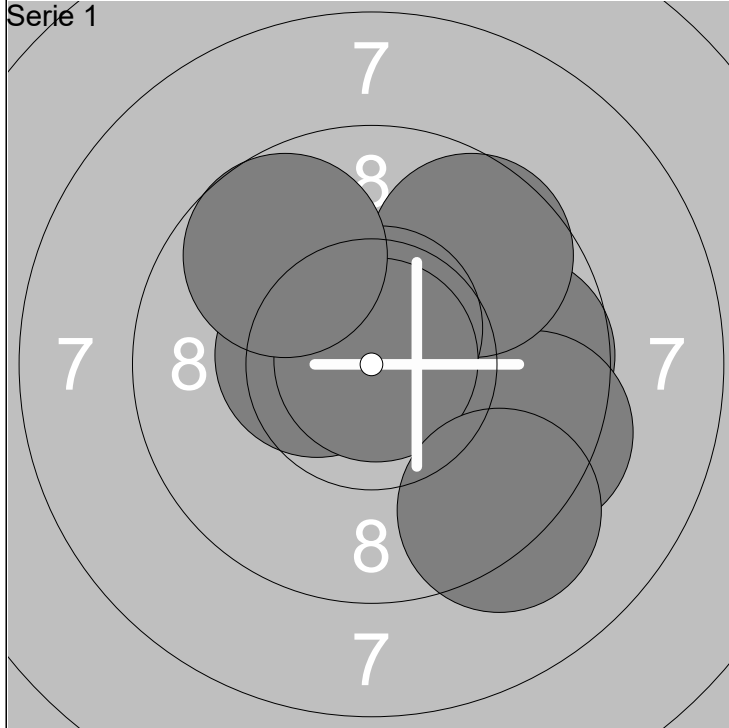
1: 10.0 →	6: 9.9 ↖	Serie	96.6
2: 9.2 →	7: 9.1 ↙		
3: 9.6 →	8: 9.7 →	Total	96.6
4: 10.3x ↓	9: 9.2 ↓		
5: 10.9x →	10: 8.7 ↘		

1: 10.0 ↓	6: 9.1 ↓	Serie	97.3
2: 9.3 ↖	7: 10.1 ↖		
3: 8.7 ↓	8: 10.6x →	Total	193.9
4: 10.4x ↓	9: 9.6 ↗		
5: 9.8 ↓	10: 9.7 ↓		



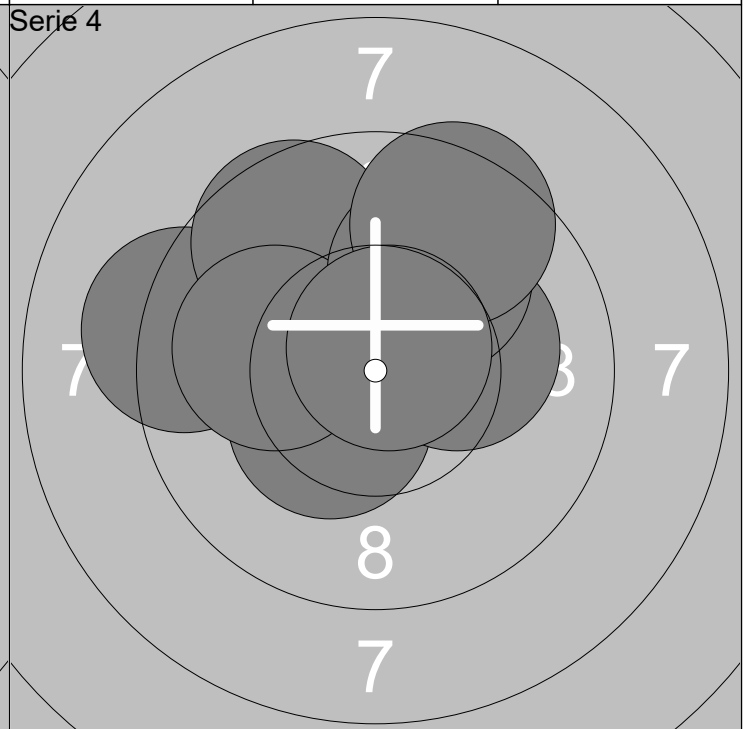
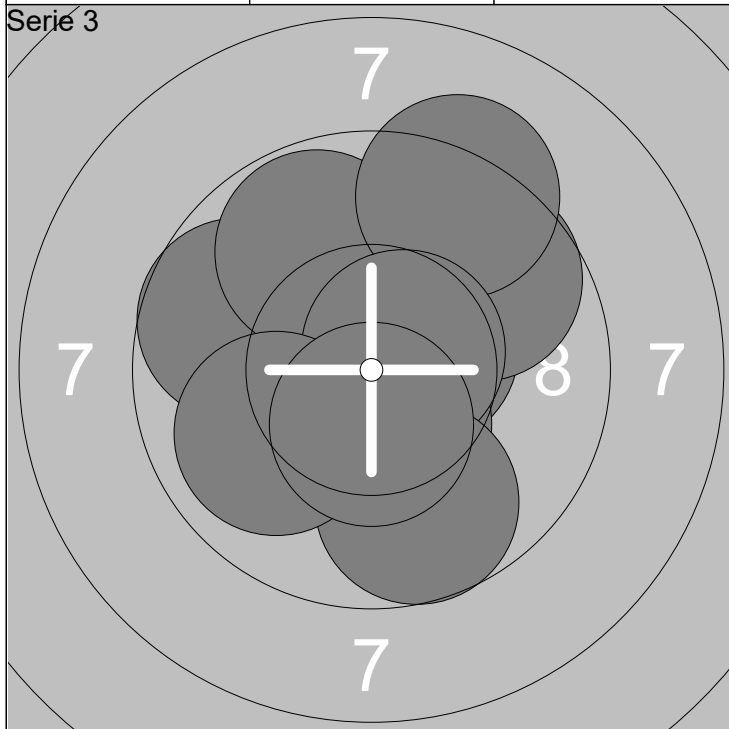
1: 10.8x ↗	6: 9.5 ↗	Serie	99.1
2: 9.8 ↖	7: 10.0 ↖		
3: 9.7 ↑	8: 9.8 →	Total	293.0
4: 9.6 ↗	9: 10.3x ↑		
5: 10.2x →	10: 9.4 →		

1: 10.2x ↑	6: 8.5 ↓	Serie	98.3
2: 9.8 ↓	7: 10.0 →		
3: 10.4x ↓	8: 10.1 ↑	Total	391.3
4: 9.9 ↗	9: 10.0 ↗		
5: 10.5x ↗	10: 8.9 →		



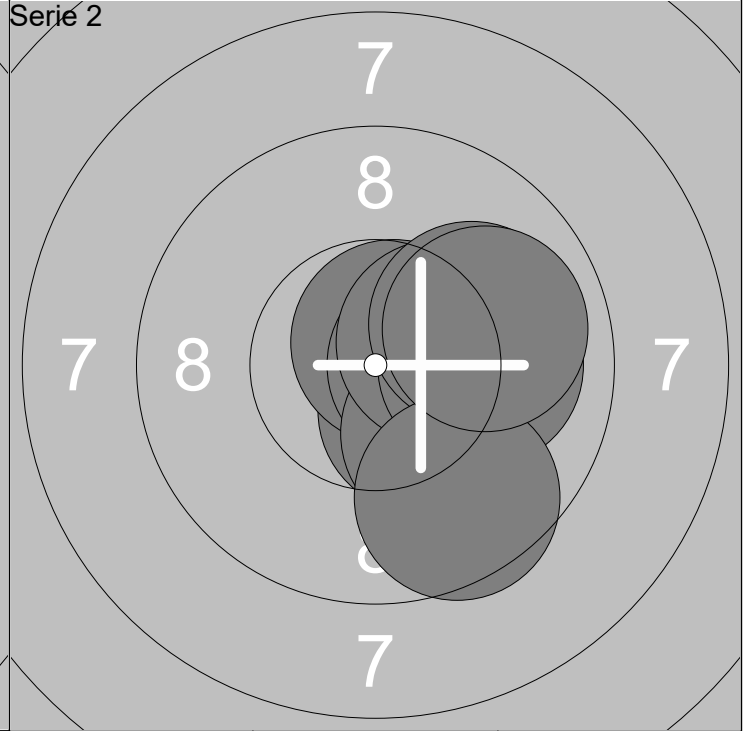
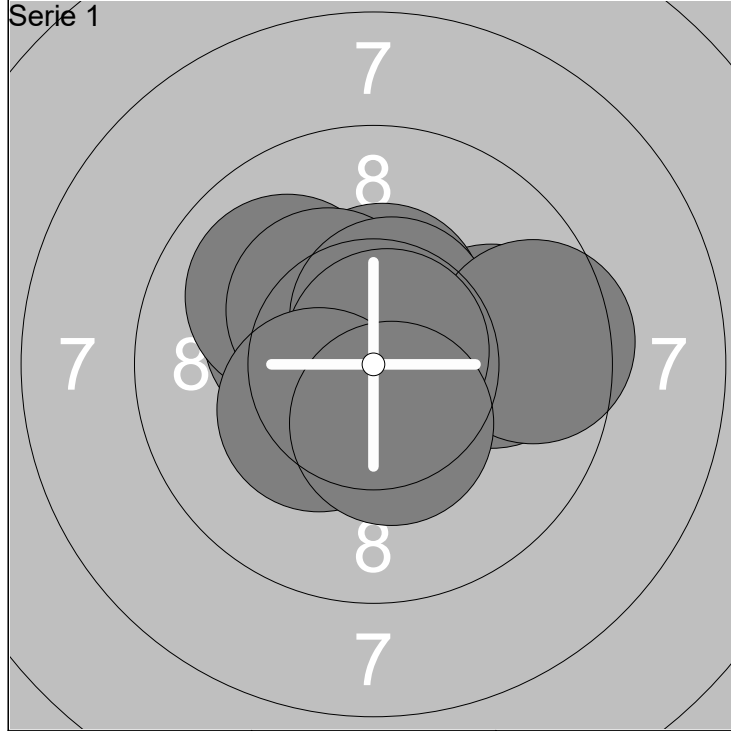
1: 9.9 →	6: 10.6x ↑	Serie	99.6
2: 10.2x ↗	7: 10.4x ←		
3: 9.7 →	8: 10.9x ↗	Total	99.6
4: 9.4 ➤	9: 9.7 ↗		
5: 9.6 ↗	10: 9.2 ↓		

1: 9.2 ↓	6: 9.5 ←	Serie	99.4
2: 9.5 ↓	7: 10.3x ←		
3: 10.8x ↑	8: 9.2 →	Total	199.0
4: 10.8x ↑	9: 9.8 ←		
5: 10.4x ←	10: 9.9 ↖		



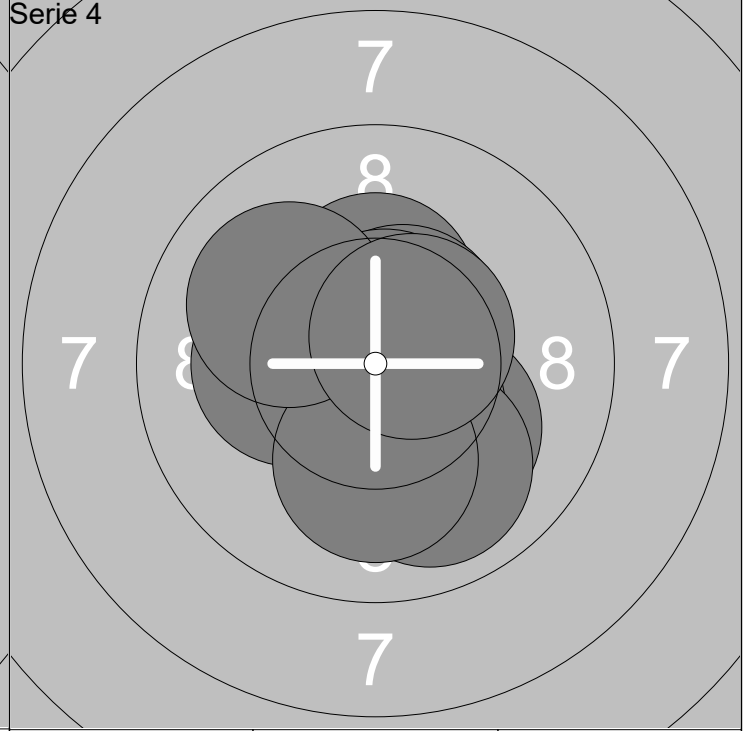
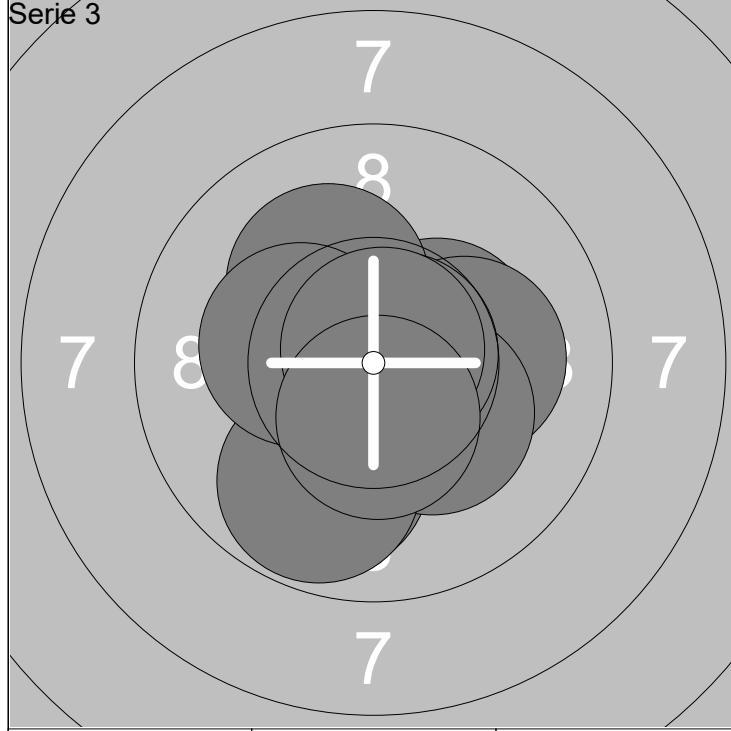
1: 9.7 ←	6: 9.2 ↑	Serie	100.0
2: 10.5x ↗	7: 10.6x ↗		
3: 9.7 ↗	8: 9.7 ↓	Total	299.0
4: 10.4x ↓	9: 9.9 ←		
5: 9.8 ↗	10: 10.5x ↓		

1: 10.7x ↑	6: 10.0 ←	Serie	101.0
2: 10.7x ↗	7: 10.2x ➤		
3: 10.4x ↙	8: 10.0 ↑	Total	400.0
4: 9.2 ←	9: 9.5 ↑		
5: 9.6 ↗	10: 10.7x ↗		



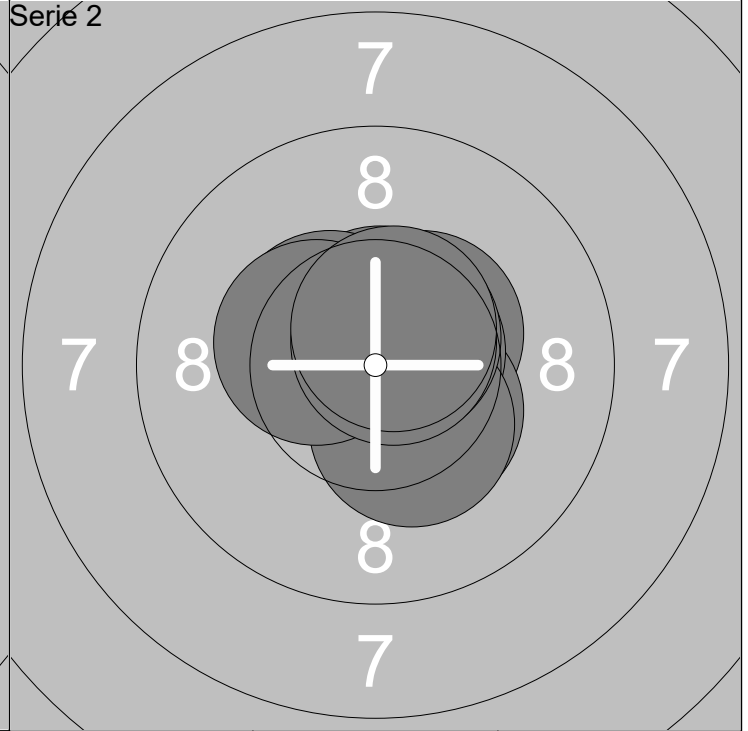
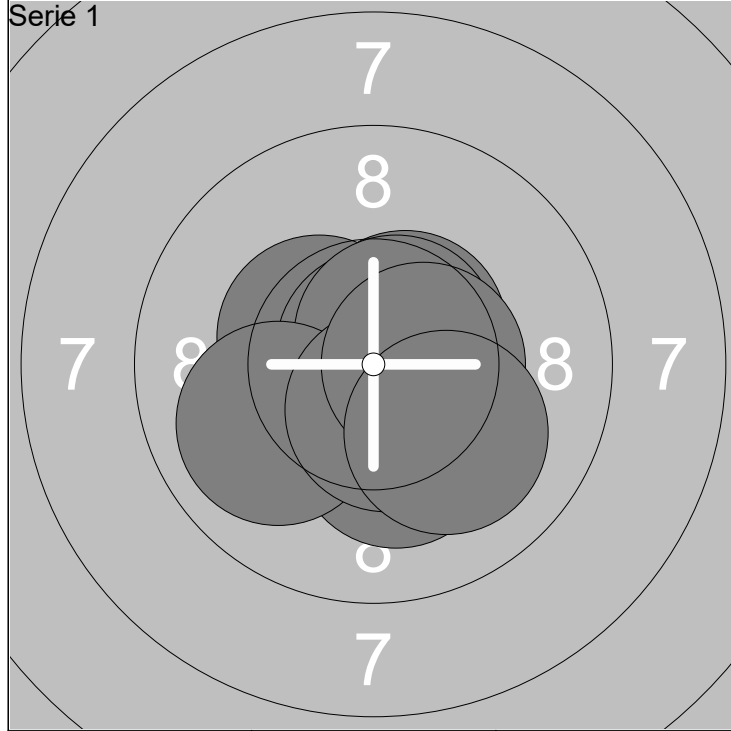
1: 9.9 →	6: 10.5x ↗	Serie	102.3
2: 10.4x ↑	7: 9.5 →		
3: 10.3x ↖	8: 10.8x ↗	Total	102.3
4: 9.9 ↖	9: 10.3x ↙		
5: 10.3x ↗	10: 10.4x ↓		

1: 10.4x ↘	6: 10.3x →	Serie	101.5
2: 10.0 →	7: 10.0 →		
3: 10.7x ↗	8: 10.0 →	Total	203.8
4: 10.5x →	9: 9.6 ↓		
5: 10.1 ↘	10: 9.9 →		



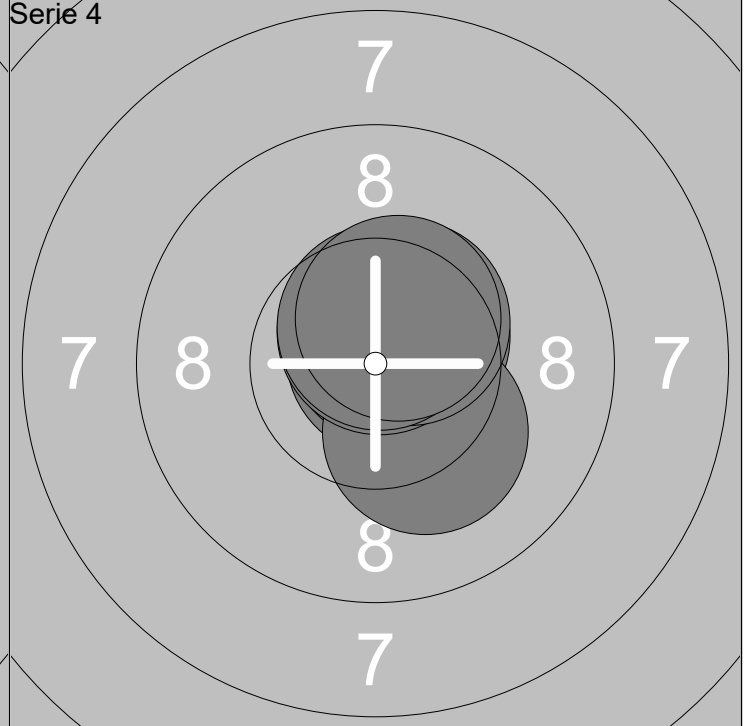
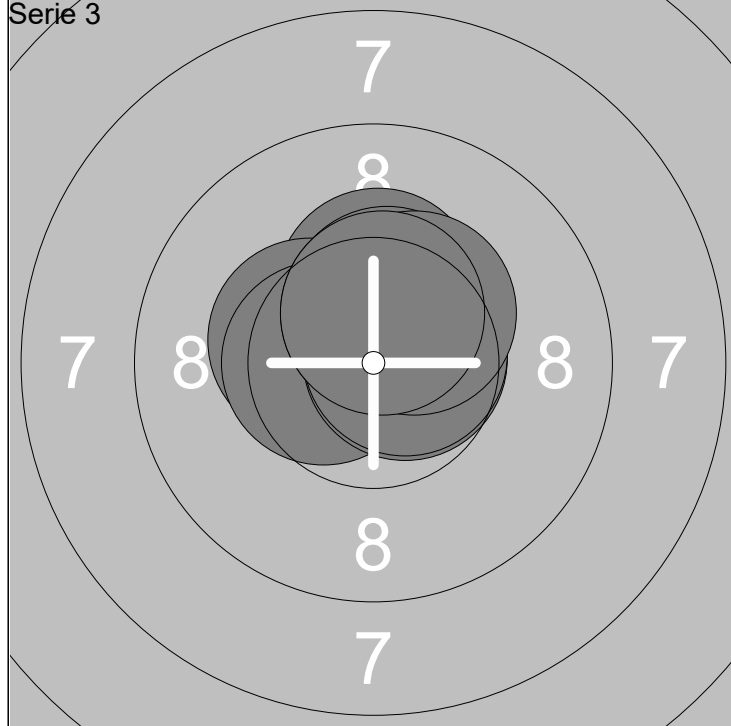
1: 9.9 ↓	6: 10.7x →	Serie	102.8
2: 10.3x →	7: 9.8 ↓		
3: 10.1 →	8: 10.3x ←	Total	306.6
4: 10.3x ↘	9: 10.8x ↗		
5: 10.1 ↗	10: 10.5x ↓		

1: 10.1 ↘	6: 10.5x ↗	Serie	102.6
2: 10.2x ←	7: 10.6x ↑		
3: 10.4x ↘	8: 10.1 ↓	Total	409.2
4: 9.9 ↓	9: 10.0 ↖		
5: 10.3x ↑	10: 10.5x ↗		



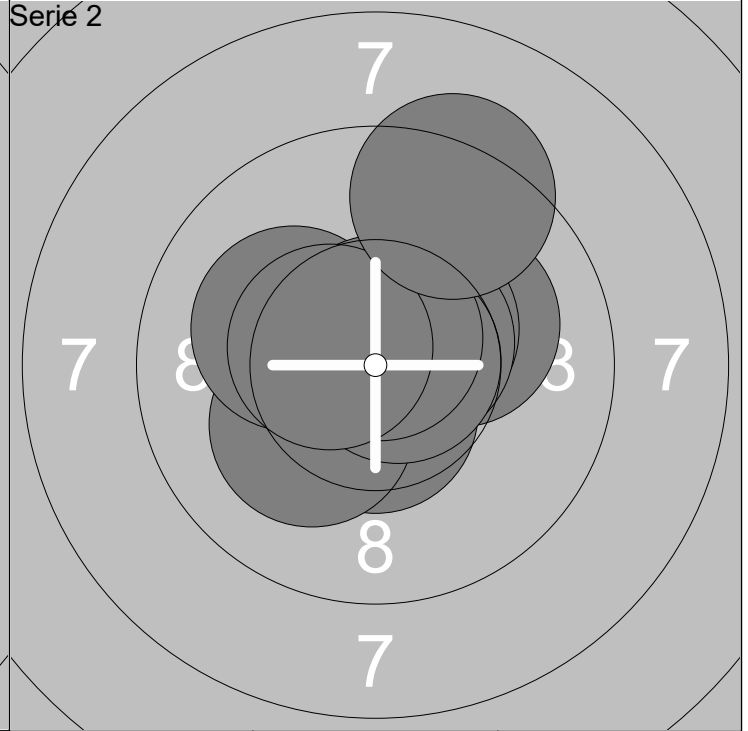
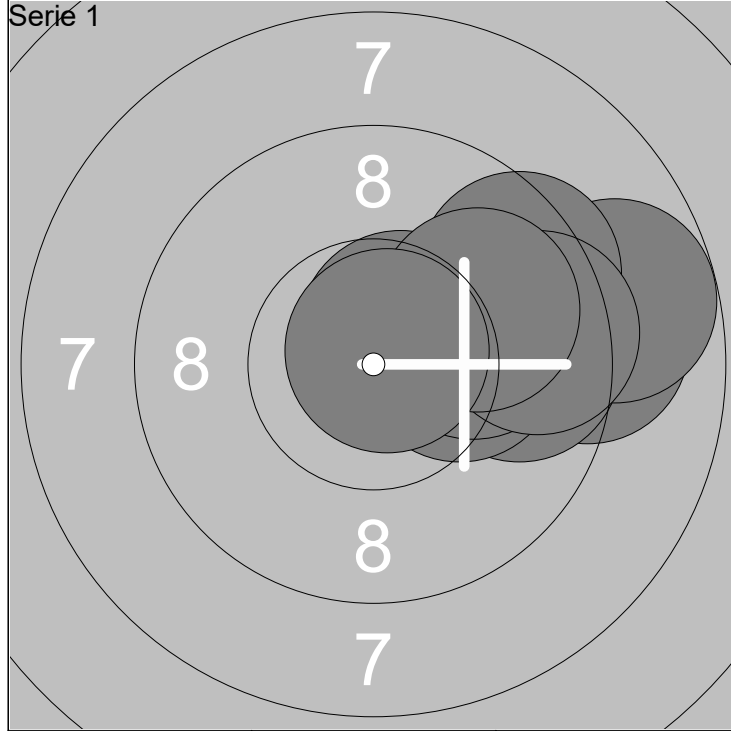
1: 10.9x ↑	6: 10.6x ↗	Serie	104.3
2: 10.5x ↗	7: 9.9 ←		
3: 10.2x ↓	8: 10.5x ↓	Total	104.3
4: 10.4x ↖	9: 10.5x →		
5: 10.8x ↑	10: 10.0 ↓		

1: 10.4x ↗	6: 10.6x ↗	Serie	105.1
2: 10.6x ↑	7: 10.4x ↖		
3: 10.4x ↓	8: 10.4x ↖	Total	209.4
4: 10.7x ↗	9: 10.7x ↗		
5: 10.3x ↓	10: 10.6x ↑		



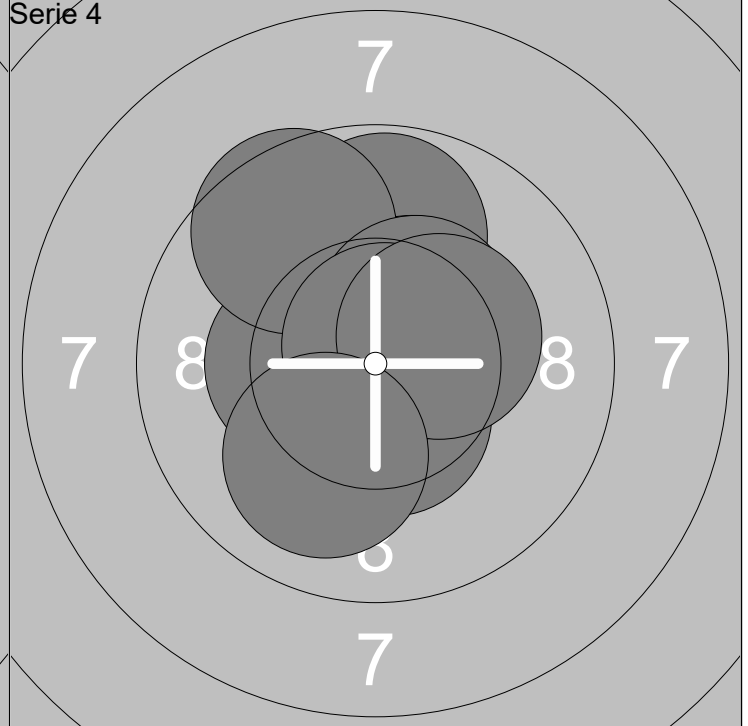
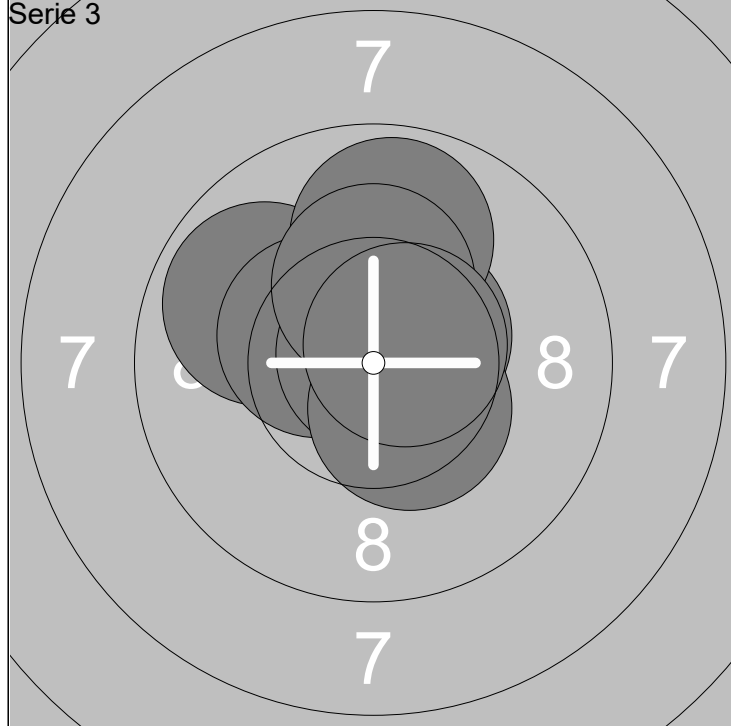
1: 10.3x ↑	6: 10.5x ↑	Serie	104.7
2: 10.5x ↑	7: 10.4x ↑		
3: 10.3x ↖	8: 10.6x →	Total	314.1
4: 10.5x ←	9: 10.4x ↗		
5: 10.7x →	10: 10.5x ↑		

1: 10.6x ↗	6: 10.2x ↓	Serie	105.7
2: 10.6x ↗	7: 10.6x ↑		
3: 10.8x ↗	8: 10.5x ↗	Total	419.8
4: 10.7x ↗	9: 10.6x ↑		
5: 10.6x ↑	10: 10.5x ↗		



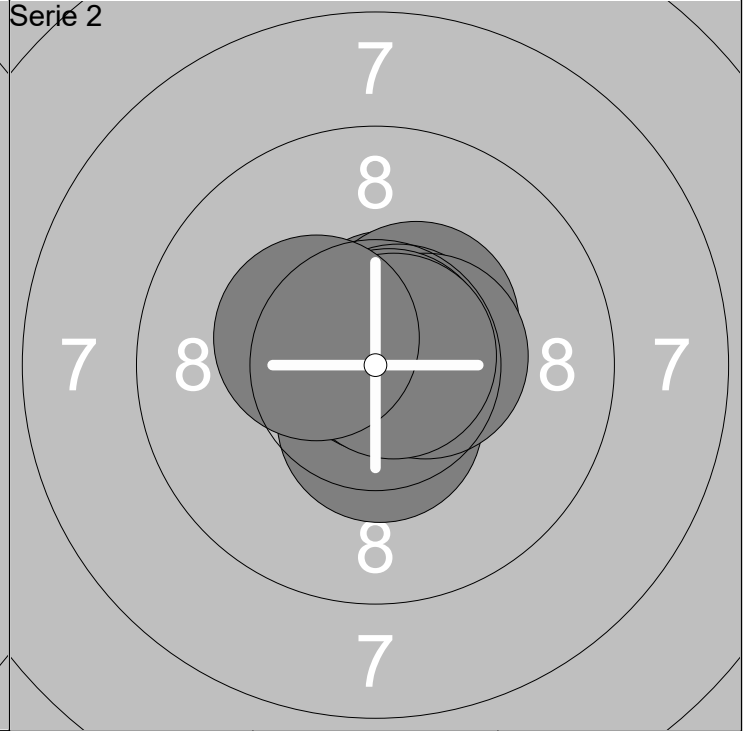
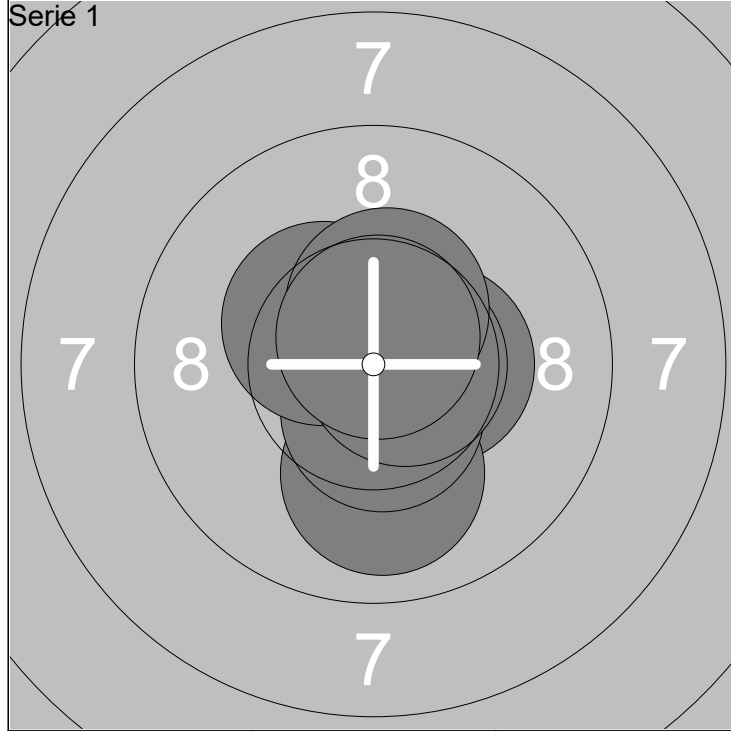
1: 9.0 →	6: 10.0 →	Serie	97.7
2: 9.6 →	7: 9.5 →		
3: 10.2x →	8: 10.6x ↗	Total	97.7
4: 8.7 →	9: 9.9 ↗		
5: 9.4 ↗	10: 10.8x ↗		

1: 10.5x ↓	6: 10.1 ←	Serie	103.2
2: 10.2x ↙	7: 10.7x →		
3: 10.1 ↗	8: 10.7x ↑	Total	200.9
4: 10.5x ↗	9: 10.5x ←		
5: 10.6x ↗	10: 9.3 ↗		



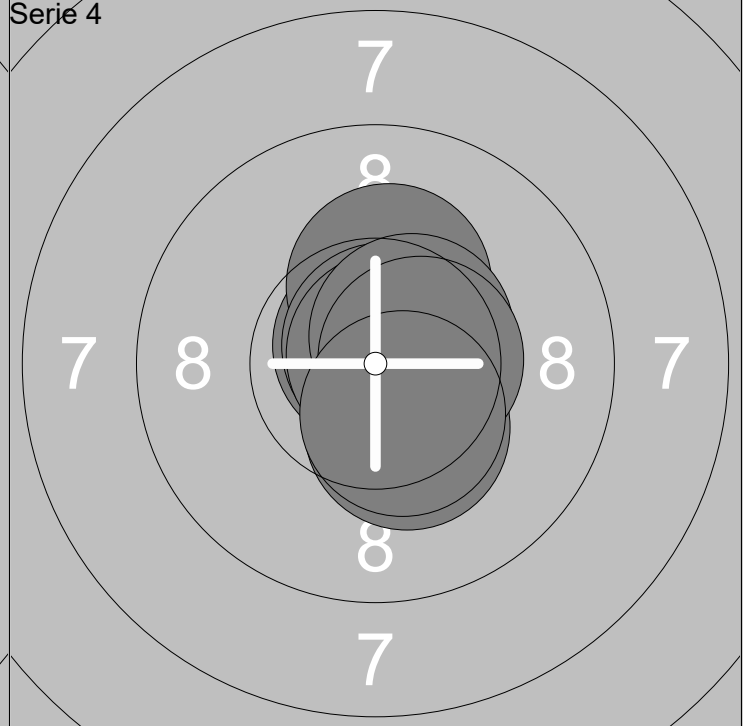
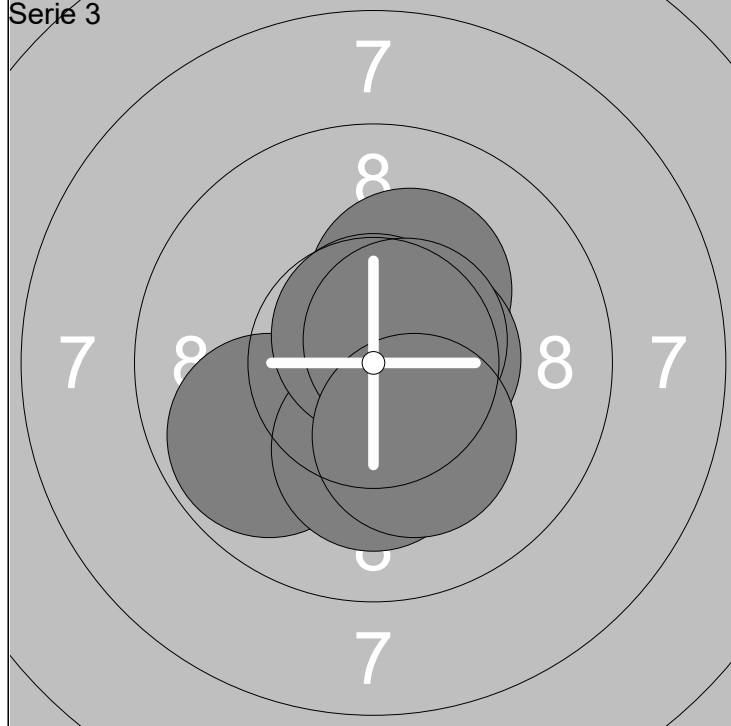
1: 10.9x ↗	6: 9.8 ↑	Serie	104.1
2: 10.5x ↗	7: 10.8x ↗		
3: 9.8 ←	8: 10.2x ↑	Total	305.0
4: 10.7x ↗	9: 10.4x ↘		
5: 10.4x ←	10: 10.6x ↗		

1: 9.8 ↑	6: 10.5x ↓	Serie	102.7
2: 10.3x ←	7: 10.4x ↗		
3: 10.4x ↗	8: 10.7x ↗	Total	407.7
4: 9.6 ↖	9: 10.3x →		
5: 10.7x ↗	10: 10.0 ↓		



1: 10.6x ↗	6: 10.7x ↗	Serie 104.9
2: 10.8x ↑	7: 10.3x ↖	
3: 10.4x →	8: 10.6x →	Total 104.9
4: 9.9 ↓	9: 10.4x ↑	
5: 10.5x ↓	10: 10.7x ↑	

1: 10.6x ↑	6: 10.7x ↗	Serie 106.3
2: 10.9x ↗	7: 10.5x →	
3: 10.5x ↓	8: 10.8x ↗	Total 211.2
4: 10.8x ↗	9: 10.7x ↗	
5: 10.4x ↗	10: 10.4x ↖	



1: 10.8x ↗	6: 10.5x →	Serie 104.1
2: 9.8 ↖	7: 10.2x ↓	
3: 10.5x ↗	8: 10.7x ↑	Total 315.3
4: 10.6x ↗	9: 10.6x ↗	
5: 10.2x ↑	10: 10.2x ↓	

1: 10.3x ↓	6: 10.8x ↑	Serie 105.8
2: 10.6x →	7: 10.8x ↗	
3: 10.8x ↑	8: 10.5x ↗	Total 421.1
4: 10.8x ↗	9: 10.5x →	
5: 10.3x ↑	10: 10.4x ↓	

Skjutlag

2

Tavla

8

Jacob Andersson

1 Luft

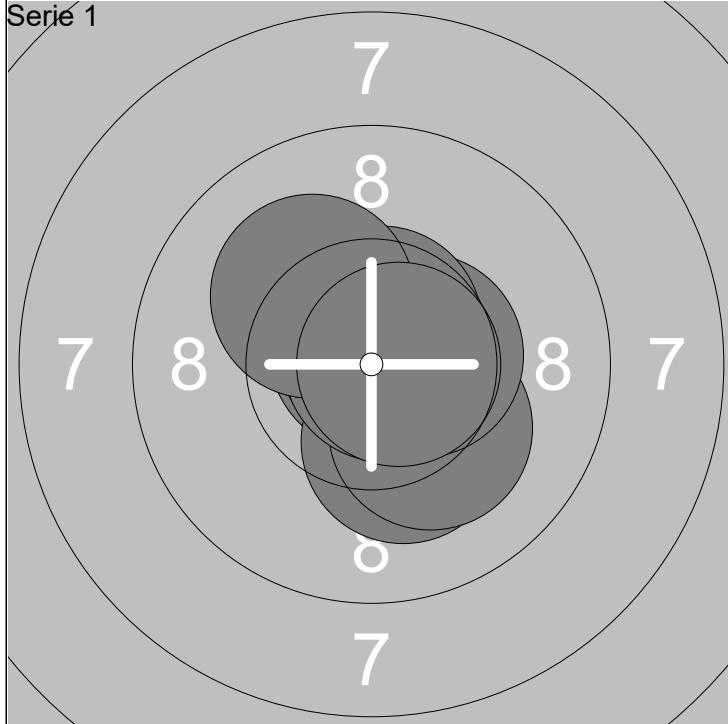
Lag

27.04.2019

Smålandsseriernas Final

Älmhults skf

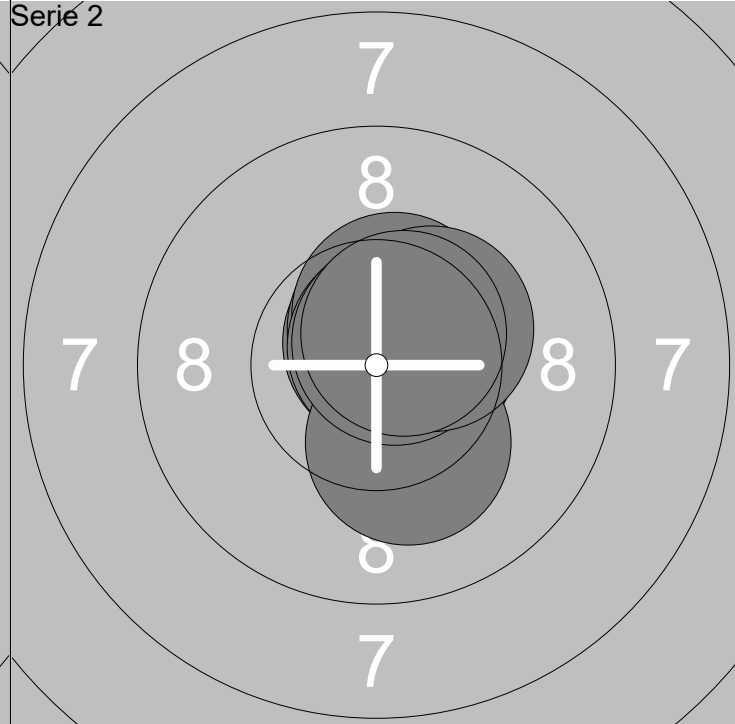
Serie 1



1: 10.8x ↑	6: 10.5x →
2: 10.8x ↗	7: 10.8x →
3: 10.2x ↓	8: 10.6x ↑
4: 10.7x →	9: 10.1 ↖
5: 10.1 ↓	10: 10.7x →

Serie	105.3
Total	105.3

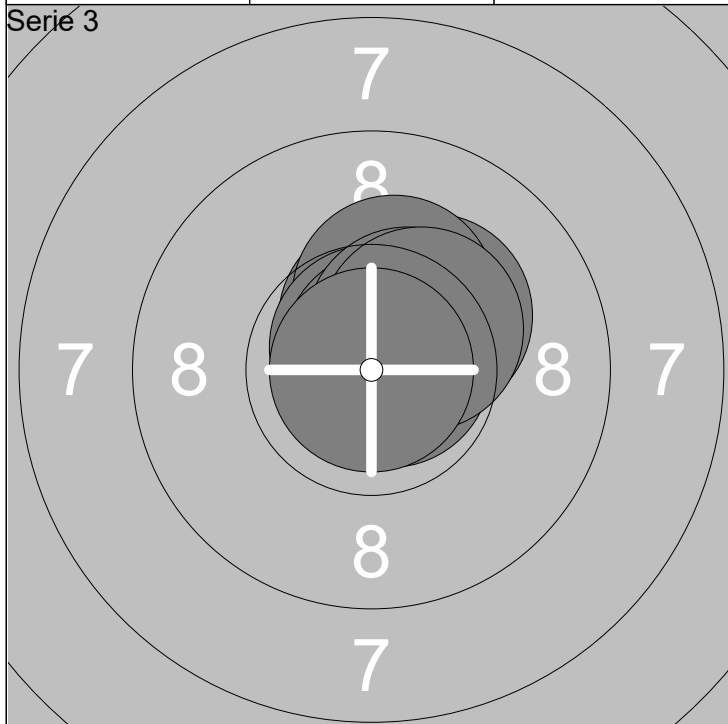
Serie 2



1: 10.7x ↑	6: 10.7x ↗
2: 10.6x →	7: 10.2x ↓
3: 10.6x ↗	8: 10.7x ↗
4: 10.6x ↑	9: 10.4x ↗
5: 10.5x ↑	10: 10.6x ↗

Serie	105.6
Total	210.9

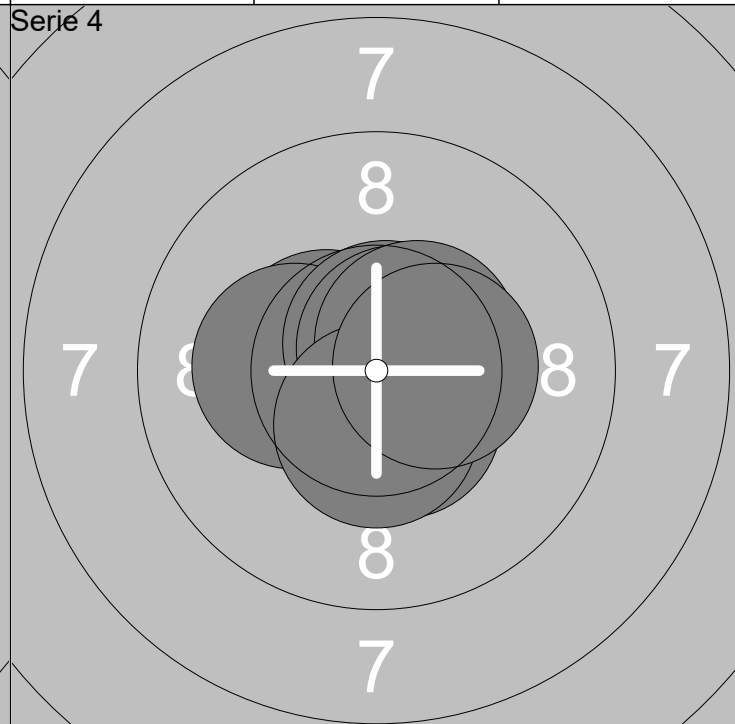
Serie 3



1: 10.5x ↑	6: 10.7x ↗
2: 10.5x ↗	7: 10.7x →
3: 10.2x ↗	8: 10.4x ↗
4: 10.3x ↑	9: 10.4x ↗
5: 10.7x ↑	10: 10.9x

Serie	105.3
Total	316.2

Serie 4



1: 10.3x ←	6: 10.7x ↑
2: 10.4x ←	7: 10.6x ↗
3: 10.2x ←	8: 10.5x ↗
4: 10.7x →	9: 10.5x ↓
5: 10.5x ↓	10: 10.4x →

Serie	104.8
Total	421.0